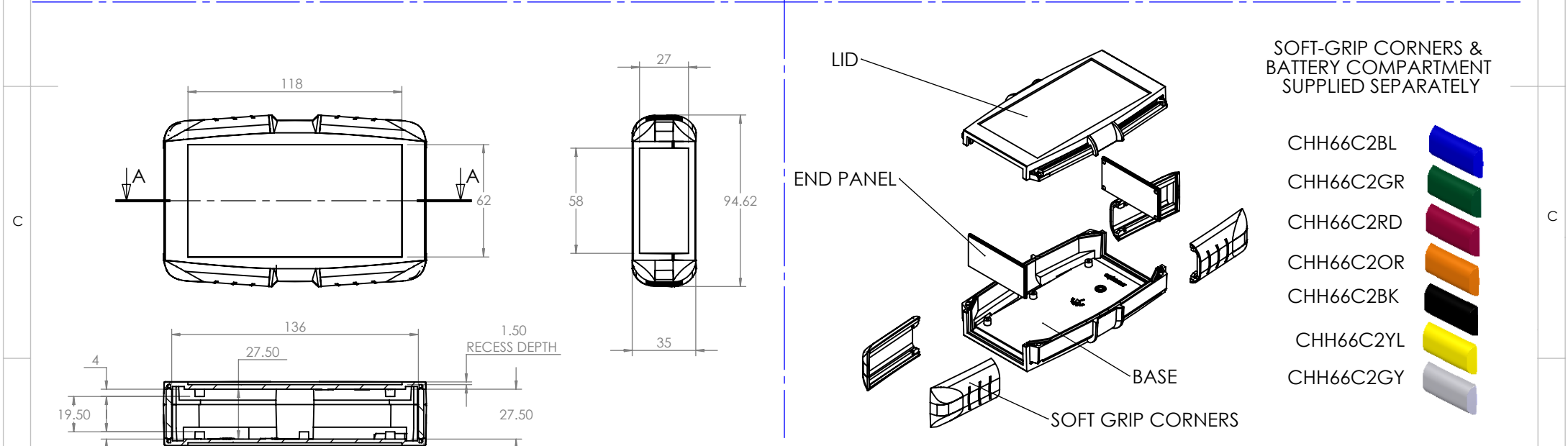


LID

BASE



SECTION A-A  
SCALE 1 : 3

SOFT-GRIP CORNERS & BATTERY COMPARTMENT SUPPLIED SEPARATELY

- CHH66C2BL
- CHH66C2GR
- CHH66C2RD
- CHH66C2OR
- CHH66C2BK
- CHH66C2YL
- CHH66C2GY

<p><b>CAMDENBOSS</b> ELECTRONICS &amp; ENCLOSURES</p> <p>JAMES CARTER RD, MILDENHALL, SUFFOLK. IP28 7DE TEL: 01638 716101 FAX: 01638 716554 EMAIL: Sales@CamdenBoss.com WEB: www.CamdenBoss.com</p>		UNLESS OTHERWISE SPECIFIED: DIMENSIONS ARE IN MILLIMETERS		DO NOT SCALE DRAWING		REVISION. 0	
		GENERAL TOLERANCES +/- 0.2		TITLE: GNL ASSEMBLY DRG FOR 66 SERIES			
DRAWN IAN PAGANO		SIGNED I.P.		DATE 11/01/13		MATERIAL. UL94-V0 ABS BLACK	
CHKD -		SIGNED -		DATE -		DWG NO. CHH662NBK	
		PROJECTION.		SCALE.		SHEET 1 OF 1	