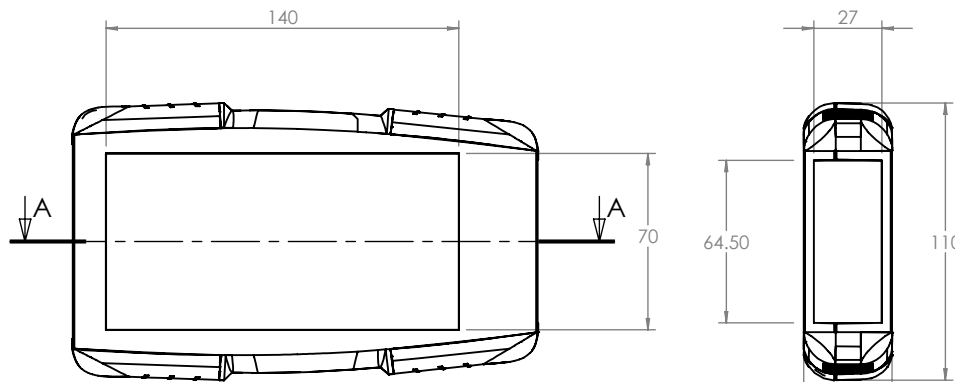
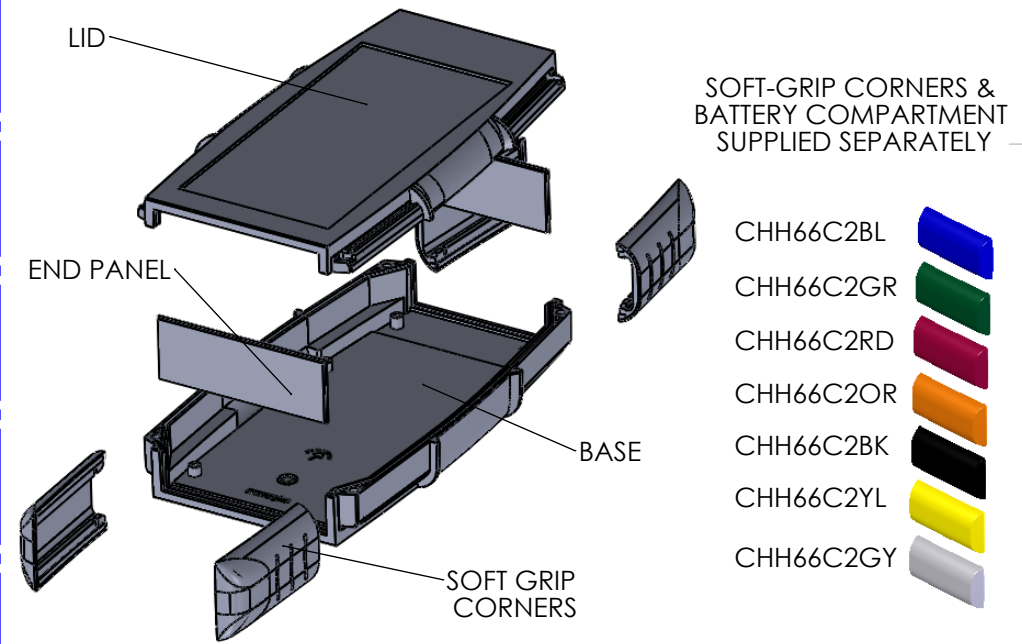


LID

BASE



SECTION A-A
SCALE 1 : 3



CAMDENBOSS
ELECTRONICS & ENCLOSURES
JAMES CARTER RD, MILDENHALL, SUFFOLK. IP28 7DE
TEL: 01638 716101 FAX: 01638 716554
EMAIL: Sales@CamdenBoss.com
WEB: www.CamdenBoss.com

UNLESS OTHERWISE SPECIFIED:
DIMENSIONS ARE IN MILLIMETERS
GENERAL TOLERANCES +/- 0.2
FINISH: LIGHT SPARK

DO NOT SCALE DRAWING
REVISION: 0
TITLE: GNL ASSEMBLY DRG FOR 66 SERIES

	NAME	SIGNED	DATE
DRAWN	IAN PAGANO	I.P.	14/01/13
CHK'D	-	-	-

MATERIAL: UL94-V0 ABS BLACK
PROJECTION:

DWG NO. CHH664NBK
SCALE: SHEET 1 OF 1

A4