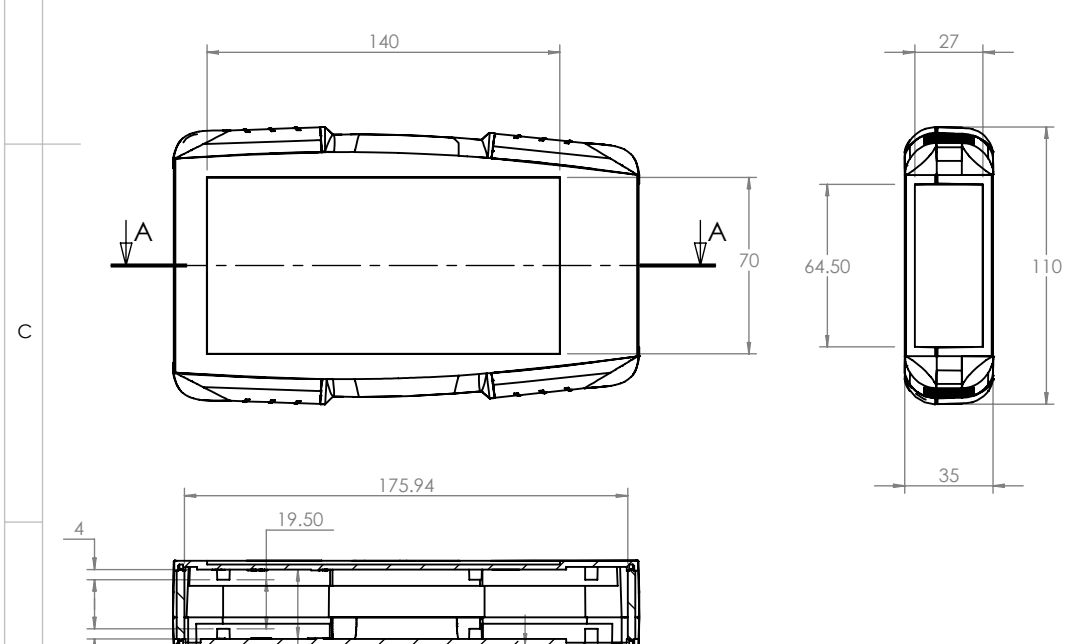
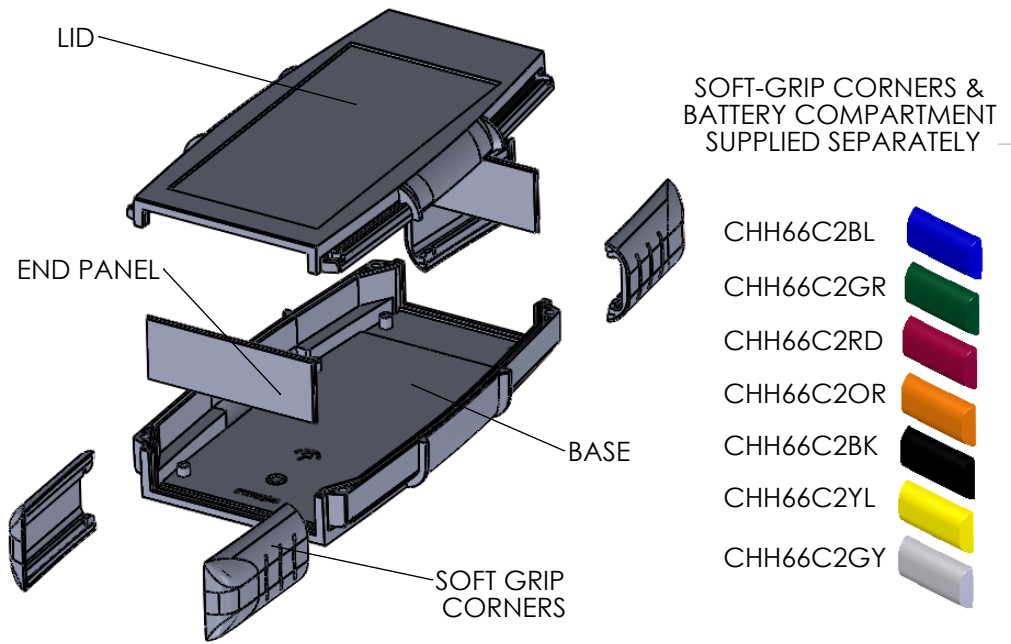


LID

BASE



SECTION A-A
SCALE 1 : 3



| | | | | | | | |
|---|--------------------|--|------------------|---|--------|-----------------------------|--|
| | | UNLESS OTHERWISE SPECIFIED: DIMENSIONS ARE IN MILLIMETERS | | DO NOT SCALE DRAWING | | REVISION: 0 | |
| | | GENERAL TOLERANCES +/- 0.2 | | TITLE: GNL ASSEMBLY DRG FOR 66 SERIES | | | |
| JAMES CARTER RD, MILDENHALL, SUFFOLK. IP28 7DE TEL: 01638 716101 FAX: 01638 716554 EMAIL: Sales@CamdenBoss.com WEB: www.CamdenBoss.com | | FINISH: LIGHT SPARK | | MATERIAL: UL94-V0 ABS GREY | | DWG NO. CHH664NGY | |
| DRAWN IAN PAGANO | NAME IAN PAGANO | SIGNED I.P. | DATE 14/01/13 | PROJECTION: | SCALE: | SHEET 1 OF 1 | |