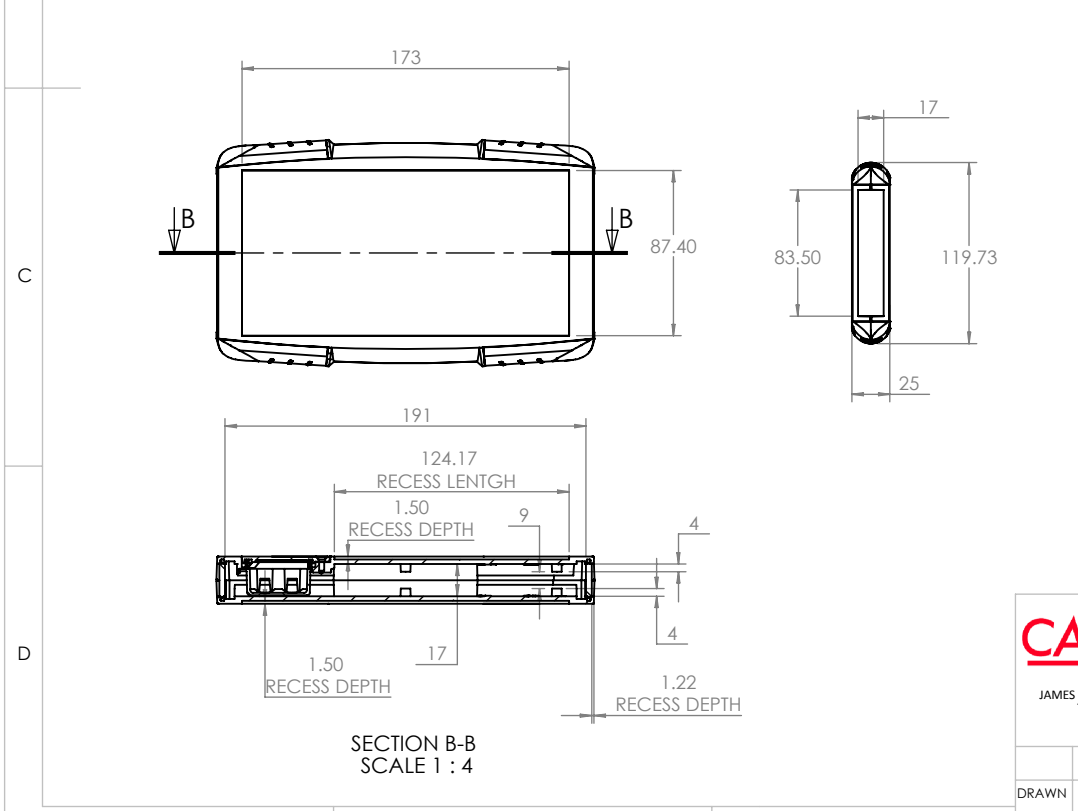
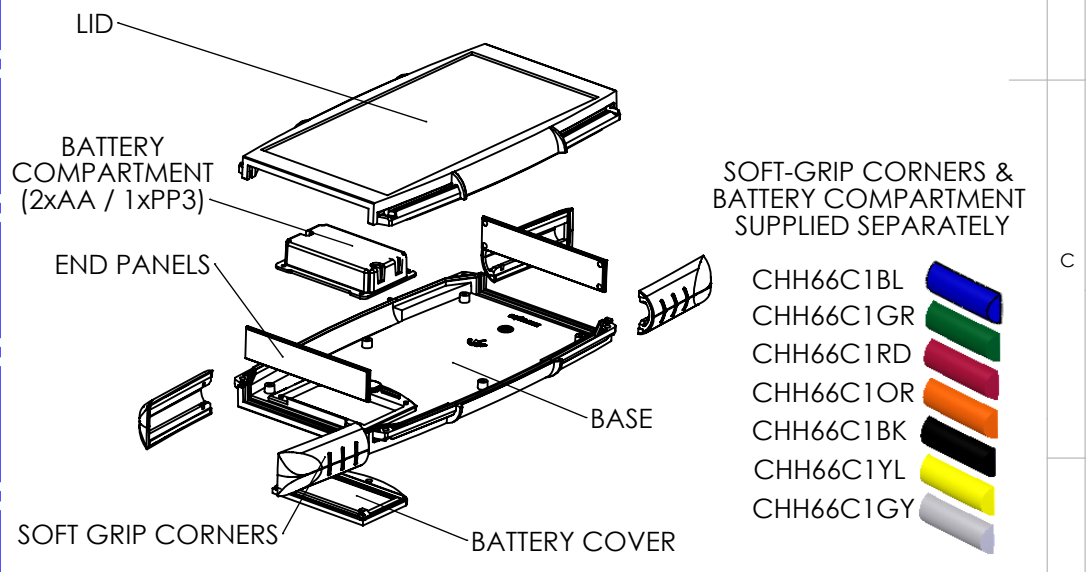


LID

BASE



SECTION B-B
SCALE 1 : 4



SOFT-GRIP CORNERS &
BATTERY COMPARTMENT
SUPPLIED SEPARATELY

- CHH66C1BL
- CHH66C1GR
- CHH66C1RD
- CHH66C1OR
- CHH66C1BK
- CHH66C1YL
- CHH66C1GY

<p>CAMDENBOSS ELECTRONICS & ENCLOSURES</p> <p>JAMES CARTER RD, MILDENHALL, SUFFOLK. IP28 7DE TEL: 01638 716101 FAX: 01638 716554 EMAIL: Sales@CamdenBoss.com WEB: www.CamdenBoss.com</p>		UNLESS OTHERWISE SPECIFIED: DIMENSIONS ARE IN MILLIMETERS		DO NOT SCALE DRAWING		REVISION. 0	
		GENERAL TOLERANCES +/- 0.2		TITLE: GNL ASSEMBLY DRG FOR 66 SERIES			
DRAWN IAN PAGANO		SIGNED I.P.		DATE 11/01/13		MATERIAL. UL94-VO ABS GREY	
CHKD -		-		-		DWG NO. CHH665BGY	
		PROJECTION.				SCALE.	
						SHEET 1 OF 1	

A4