

OVERALL ASSEMBLY DIMENSIONS:

EXTERNALS - 104.5 x 61.3 x 27.5

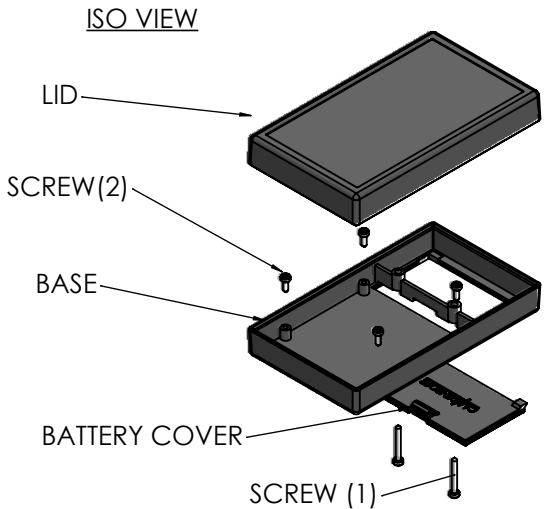
INTERNALS - 99 x 56 x 22



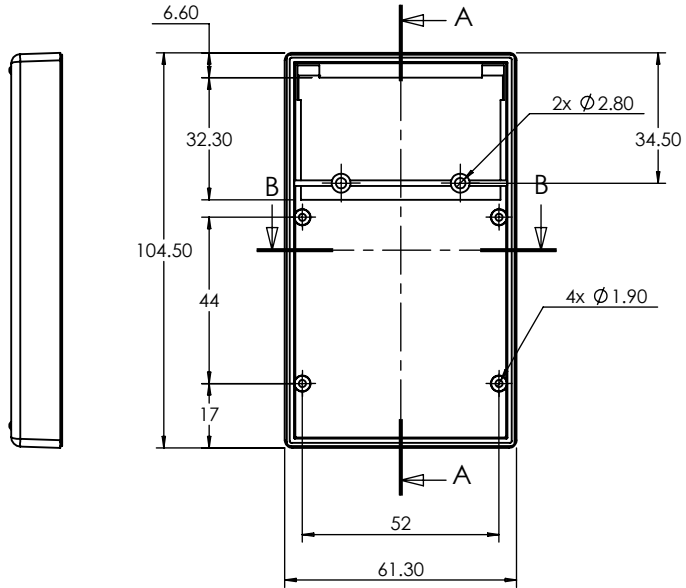
SECTION B-B



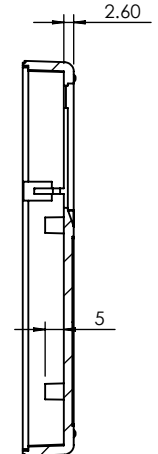
SECTION C-C



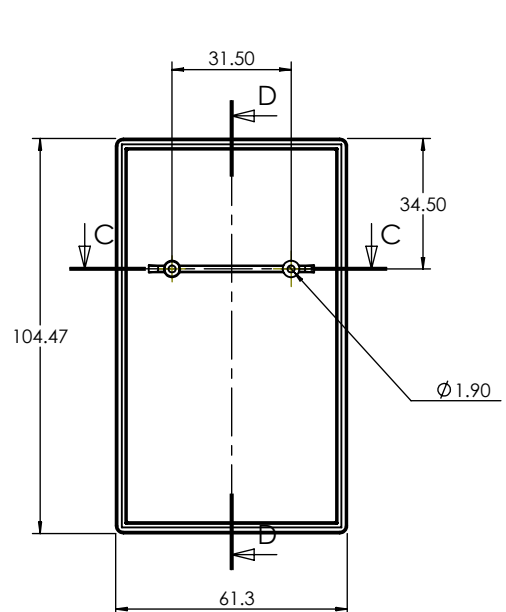
ISO VIEW



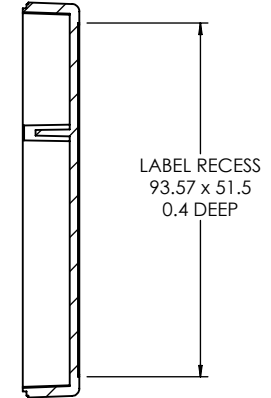
BASE



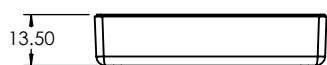
SECTION A-A



LID



SECTION D-D



 JAMES CARTER RD, MILDENHALL, SUFFOLK. IP28 7DE TEL: 01638 716101 FAX: 01638 716554 EMAIL: Sales@CamdenBoss.com WEB: www.CamdenBoss.com				UNLESS OTHERWISE SPECIFIED: DIMENSIONS ARE IN MILLIMETERS		DO NOT SCALE DRAWING	REVISION. 0
				FINISH. <b>SMOOTH</b>		TITLE: <b>Dimension Drawing For 2910 Series Mobile Case Size 1 Black</b>	
DRAWN IAN PAGANO		SIGNED I.P.	DATE 18/07/13	MATERIAL. <b>ABS</b>	DWG NO. <b>CHHMC01BK</b>	A4	
CHKD -	-	-	PROJECTION.		SCALE: 1 : 2	SHEET 1 OF 1	