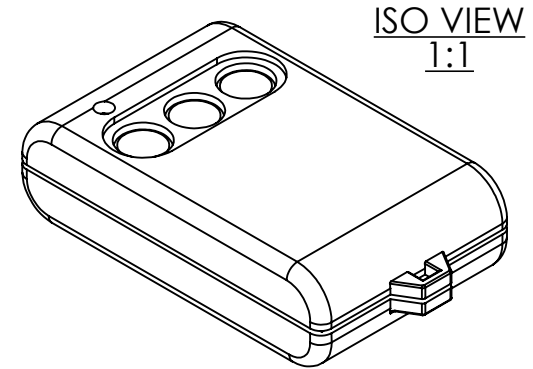
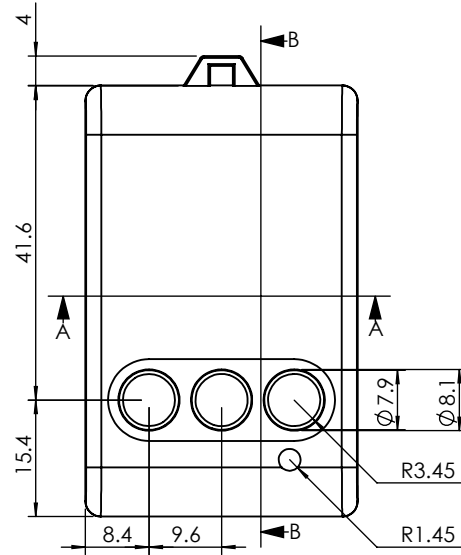
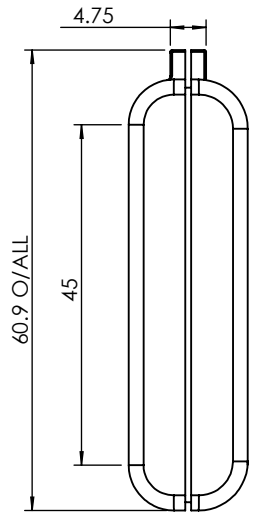


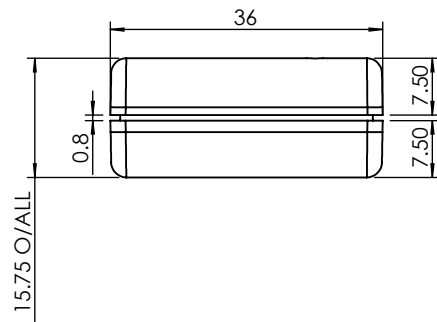
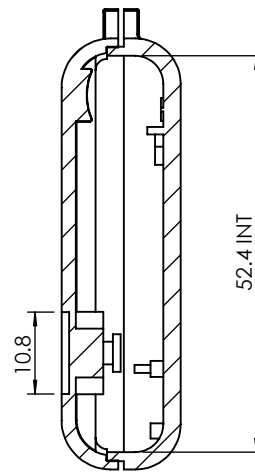
SECTION A-A



ISO VIEW
1:1



SECTION B-B



15.75 O/ALL

CAMDENBOSS
ELECTRONICS & ENCLOSURES
JAMES CARTER RD, MILDENHALL, SUFFOLK. IP28 7DE
TEL: 01638 716101 FAX: 01638 716554
EMAIL: Sales@CamdenBoss.com
WEB: www.CamdenBoss.com

UNLESS OTHERWISE SPECIFIED:
DIMENSIONS ARE IN MILLIMETERS

DO NOT SCALE DRAWING

REVISION. ○

GENERAL TOLERANCES +/- 0.2

TITLE: **GENERAL DIMENSION DRAWING
FOR 2957 SERIES THREE-SMALL-
BUTTONS**

FINISH. LIGHT SPARK

DWG NO.

2957-43

A4

	NAME	SIGNED	DATE
DRAWN	LEWIS LETCHFORD	LL	10/04/2014
CHKD	-	-	-

MATERIAL. ABS

SCALE: 1:1

PROJECTION.

SHEET 1 OF 1