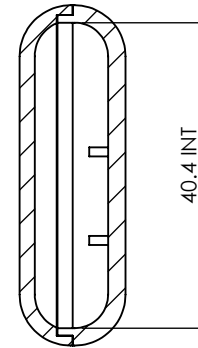
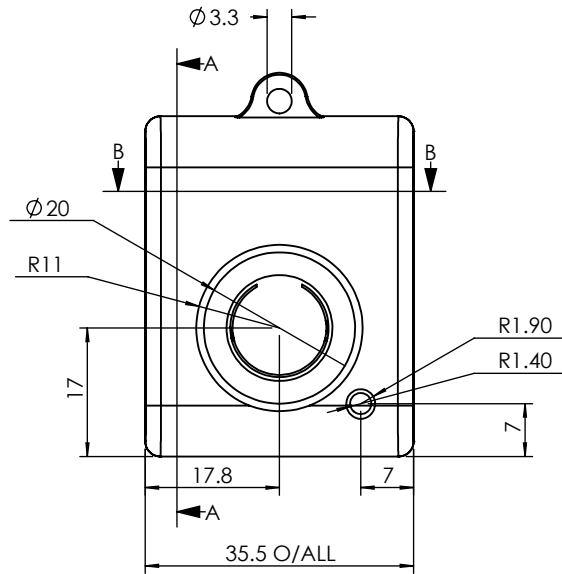
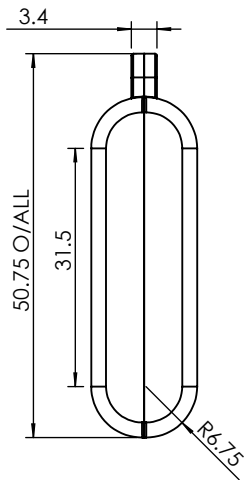
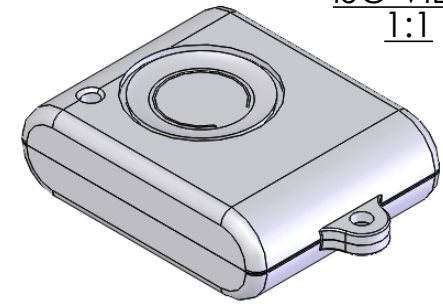
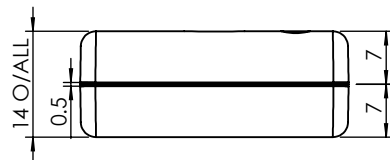


ISO VIEW  
1:1



SECTION A-A



**CAMDENBOSS**  
ELECTRONICS & ENCLOSURES

JAMES CARTER RD, MILDENHALL, SUFFOLK. IP28 7DE  
TEL: 01638 716101 FAX: 01638 716554  
EMAIL: Sales@CamdenBoss.com  
WEB: www.CamdenBoss.com

UNLESS OTHERWISE SPECIFIED:  
DIMENSIONS ARE IN MILLIMETERS

DO NOT SCALE DRAWING

REVISION. ○

GENERAL TOLERANCES +/- 0.2

TITLE: **GENERAL DIMENSION DRAWING  
FOR 2957 SERIES ONE-SMALL-  
BUTTON**

FINISH. LIGHT SPARK

DWG NO.

**2957-46**

A4

	NAME	SIGNED	DATE
DRAWN	LEWIS LETCHFORD	LL	10/04/2014
CHK'D	-	-	-

MATERIAL. ABS

PROJECTION.

SCALE. 1:1

SHEET 1 OF 1