

# HEAVY DUTY ENCLOSURES

## 7740 Series Screw Fastening Wall Mount Enclosures

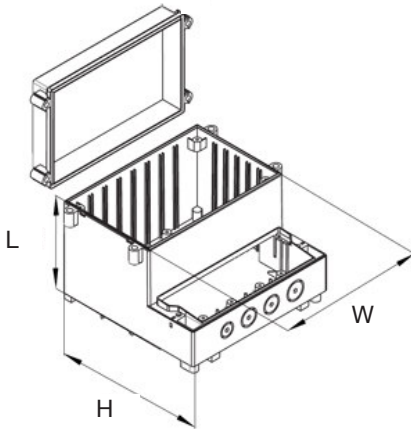
Wall mounted enclosures with two compartments, equipped with covers. Designed to house electronic applications.

- Moulded in high quality ABS
- Suitable for high temperatures
- Protects controls and components indoors or outdoors
- Fastening pillars and guide grooves for Vertical and horizontal PCB mounting
- DIN rail mountable
- EPDM gasket for IP65 seal pre-installed
- Available in five sizes

SPECIFICATION	
Materials	Lid & base ABS, UL94-HB
Operating Temperature	Heat resistant up to 80°C
Ingress protection class	IP65
Standard colours	Light grey, similar to RAL 7035
Standard unit includes	Box, lid, fixing screws and neoprene gasket



PART NO.	LENGTH	WIDTH	DEPTH
CHD774001	161mm	166mm	93mm
CHD774002	161mm	166mm	121mm
CHD774003	185mm	213mm	104.5mm
CHD774004	217mm	256mm	132.5mm
CHD774005	281mm	296mm	158mm



### Wall Mounting Kit

PART NO.	DESCRIPTION
CHD7700MK	Mounting Brackets



UNIVERSAL ENCLOSURES

HAND HELD CASES

HEAVY DUTY ENCLOSURES

DIN RAIL BOXES

INTERFACE SUPPORTS

CONTROL STATIONS

DIECAST & METAL BOXES

DESKTOP & INSTRUMENT CASES

POTTING BOXES

19" ENCLOSURES

19" CABINETS

DEVELOPMENT BOARDS

CUSTOM SIZED ENCLOSURES

CUSTOM SERVICES