

1 2 3 4 5 6

A

A

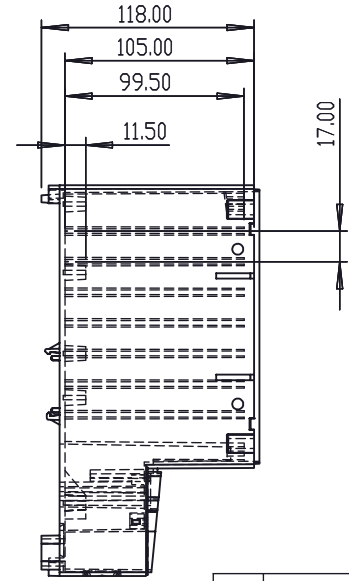
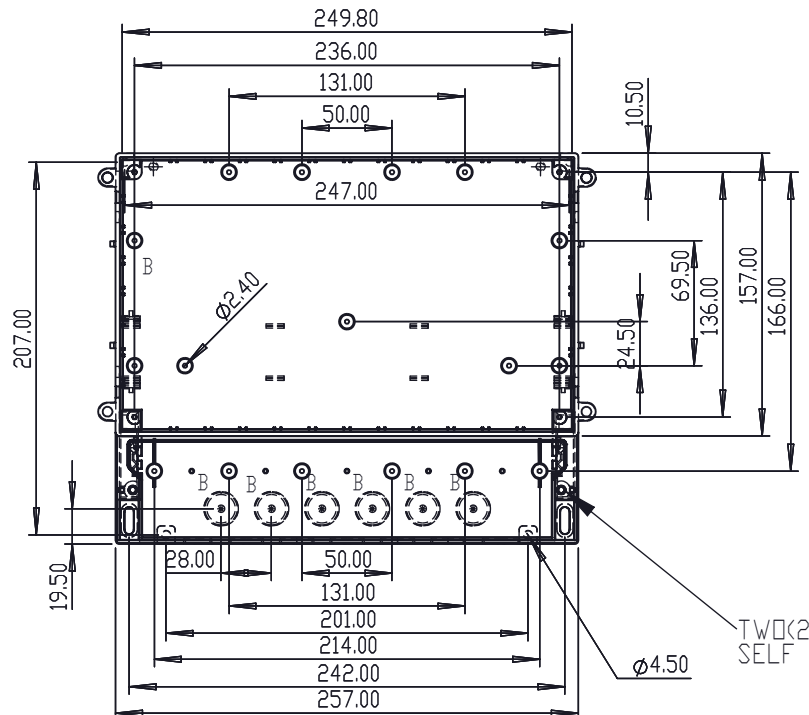
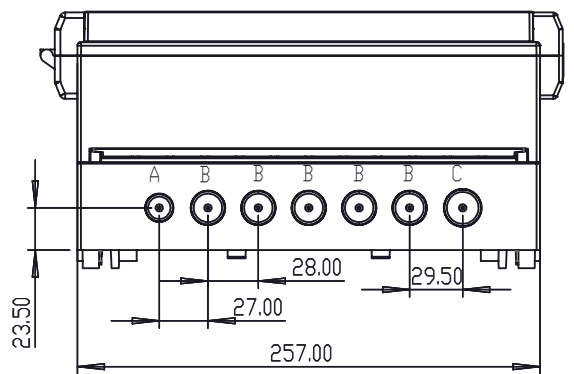
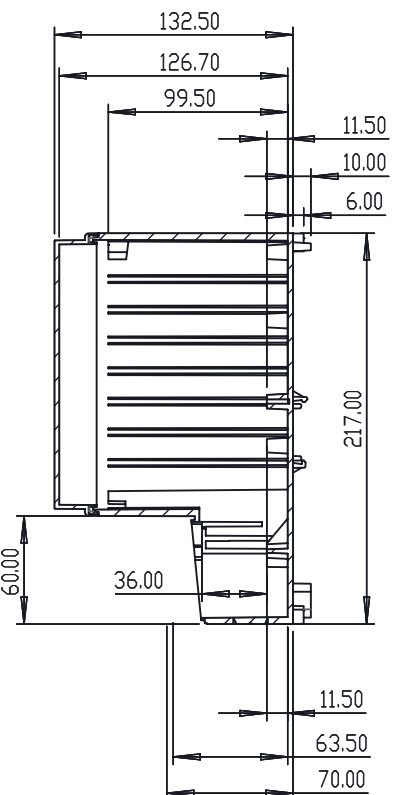
B

B

C

C

D



	DIMENSION	CABLE GLAND
A	15.6mm	PG 9<DR M12>
B	19.0mm	PG 11<DR M16>
C	20.8mm	PG 13.5<DR M20>

**CAMDENBOSS**  
ELECTRONICS & ENCLOSURES  
JAMES CARTER RD, MILDENHALL, SUFFOLK. IP28 7DE  
TEL: 01638 716101 FAX: 01638 716554  
EMAIL: Sales@CamdenBoss.com  
WEB: www.CamdenBoss.com

UNLESS OTHERWISE SPECIFIED:  
DIMENSIONS ARE IN MILLIMETERS  
GENERAL TOLERANCES +/- 0.2  
FINISH: FINE TEXTURE  
MATERIAL: UL 94 - V0 ABS/PC

DO NOT SCALE DRAWING REVISION: ○

TITLE: 7700 SERIES SIZE 4 WALL MOUNT BOX HINGED LID

	NAME	SIGNED	DATE
DRAWN	IAN PAGANO	I.P.	07/01/14
CHKD	DAN SMALLEY	D.S.	08/01/14

PROJECTION:

DWG NO.	<b>CHD771004</b>	A4
SCALE: 1:7	SHEET 1 OF 1	

1 2 3