

HEAVY DUTY ENCLOSURES

X7 Series Electrical Heavy Duty Enclosures - ABS

- IP66/67 rated enclosure
- IK07/08 impact tested
- Heavy duty screw type enclosure
- Moulded in high quality ABS
- PCB pillers in the base for PCB mounting
- Brass inserts in the base
- Gasket supplied with the enclosure
- Clear lid option available
- Wall mounting facility accessories available
- Captive, polyamide screws included

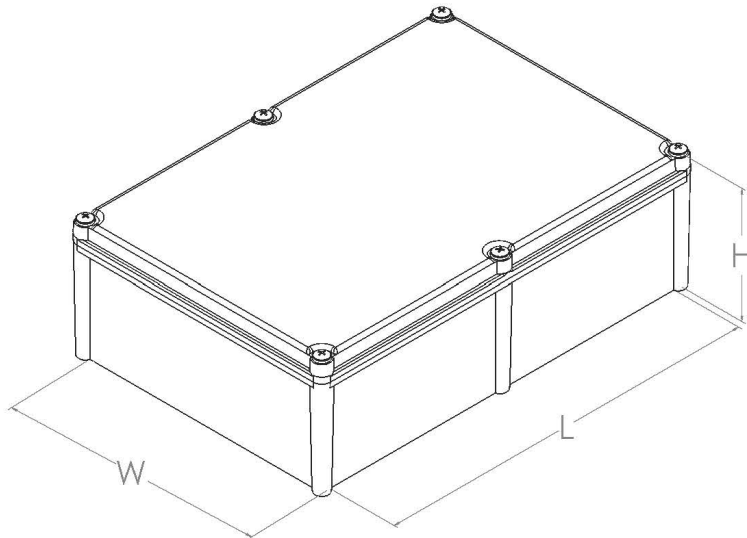
SPECIFICATION

Materials	ABS UL94-HB
Operating Temperature	-40°C ~ +70°C
Protection Class	IP66/67, IK07/08
Standard Colours	Grey, Transparent lid option
Standard Unit Includes	Box and lid, 4 screws
Available accessories	Mount plates and vents

CHDX7-3



TYPE NO. SOLID LID	TYPE NO. CLEAR LID	LENGTH	WIDTH	HEIGHT
CHDX7-321	CHDX7-321C	190	190	130
CHDX7-322	CHDX7-322C	380	190	130
CHDX7-323	CHDX7-323C	380	190	180
CHDX7-324	CHDX7-324C	380	280	180
CHDX7-325	CHDX7-325C	430	330	180
CHDX7-326	CHDX7-326C	280	190	130
CHDX7-327	CHDX7-327C	280	190	180
CHDX7-328	CHDX7-328C	280	280	130
CHDX7-329	CHDX7-329C	340	280	130
CHDX7-330	CHDX7-330C	380	280	130
CHDX7-331	CHDX7-331C	560	280	130
CHDX7-332	CHDX7-332C	560	380	180



UNIVERSAL ENCLOSURES

HAND HELD CASES

HEAVY DUTY ENCLOSURES

DIN RAIL ENCLOSURES

INTERFACE SUPPORTS

ELECTRICAL ENCLOSURES

DIECAST & METAL ENCLOSURES

DESKTOP & INSTRUMENT CASES

MULTI-PURPOSE & POTTING BOXES

19" ENCLOSURES

19" CABINETS

DEVELOPMENT BOARD ENCLOSURES

CUSTOM SIZED ENCLOSURES

FSPT/ CUSTOM SERVICES