

HEAVY DUTY ENCLOSURES

X7 Series Electrical Heavy Duty Enclosures - Polycarbonate

- IP66/67 rated enclosure
- IK07/08 impact tested
- Heavy duty screw type enclosure
- Moulded in high quality Polycarbonate
- PCB pillers in the base for PCB mounting
- Brass inserts in the base
- Gasket supplied with the enclosure
- Clear lid option available
- Captive, polyamide screws included
- Wall mounting facility accessories available

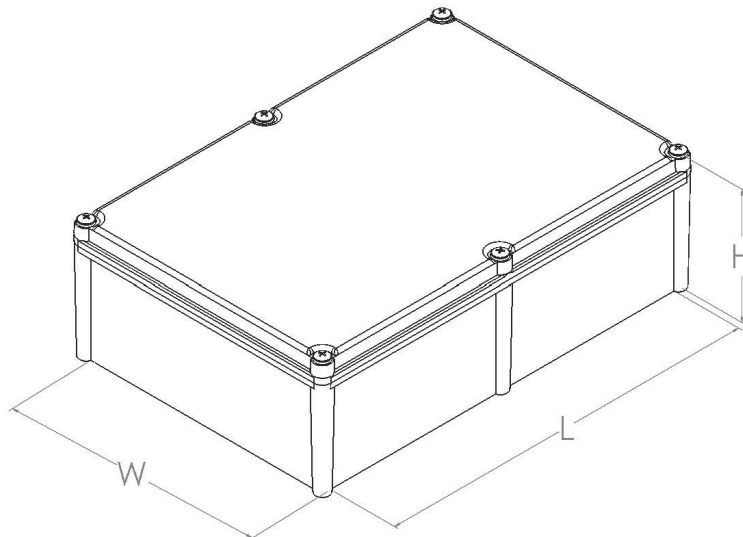
SPECIFICATION

Materials	Polycarbonate UL94-V0
Operating Temperature	-40°C ~ + 70°C
Protection Class	IP66/67, IK07/08
Standard Colours	Grey, Transparent lid option
Standard Unit Includes	Box and lid, 4 screws
Available accessories	Mount plates

CHDX7-2



TYPE NO. SOLID LID	TYPE NO. CLEAR LID	LENGTH	WIDTH	HEIGHT
CHDX7-221	CHDX7-221C	190	190	130
CHDX7-222	CHDX7-222C	380	190	130
CHDX7-223	CHDX7-223C	380	190	180
CHDX7-224	CHDX7-224C	380	280	180
CHDX7-225	CHDX7-225C	430	330	180
CHDX7-226	CHDX7-226C	280	190	130
CHDX7-227	CHDX7-227C	280	190	180
CHDX7-228	CHDX7-228C	280	280	130
CHDX7-229	CHDX7-229C	340	280	130
CHDX7-230	CHDX7-230C	380	280	130
CHDX7-231	CHDX7-231C	560	280	130
CHDX7-232	CHDX7-232C	560	380	180



UNIVERSAL ENCLOSURES

HAND HELD CASES

HEAVY DUTY ENCLOSURES

DIN RAIL ENCLOSURES

INTERFACE SUPPORTS

ELECTRICAL ENCLOSURES

DIECAST & METAL ENCLOSURES

DESKTOP & INSTRUMENT CASES

MULTI-PURPOSE & POTTING BOXES

19" ENCLOSURES

19" CABINETS

DEVELOPMENT BOARD ENCLOSURES

CUSTOM SIZED ENCLOSURES

FSPT/ CUSTOM SERVICES



+44 (0)1638 716101
info@camdenboss.com
www.camdenboss.com

We operate a constant improvement policy, our products are subject to change without notice.

Ver 3
 Issu 1

CAMDENBOSS
 ELECTRONICS & ENCLOSURES