

HEAVY DUTY ENCLOSURES

X6 Series Electrical Knockout Enclosures - Polycarbonate

- IP66/67 rated enclosure
- IK07/08 impact tested
- Screw type lid with knock out base
- Moulded in high quality polycarbonate
- PCB pillars in the base for PCB mounting
- Gasket supplied with the enclosure
- Clear lid option available
- Captive, polyamide screws included

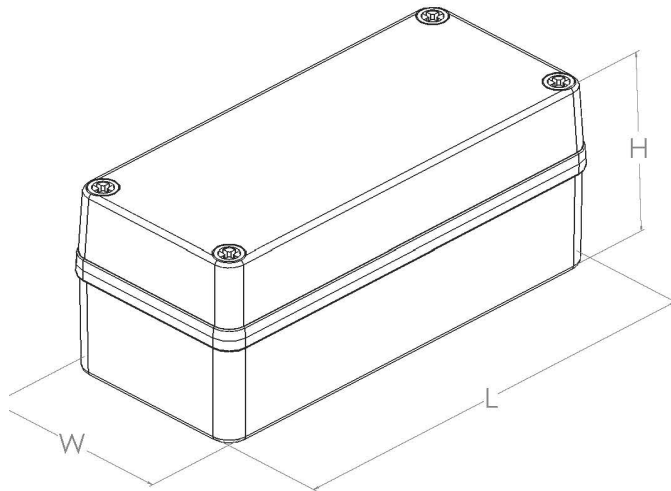
SPECIFICATION

Materials	Polycarbonate UL94-V0
Operating Temperature	-40°C ~ + 70°C
Protection class	IP66/67, IK07/08
Standard colours	Grey, transparent lid option
Standard unit includes	Box, lid, 4 screws
Available accessories	Mount plates

CHDX6-2



TYPE NO. SOLID LID	TYPE NO. CLEAR LID	LENGTH	WIDTH	HEIGHT
CHDX6-221	CHDX6-221C	110	80	70
CHDX6-222	CHDX6-222C	110	80	85
CHDX6-223	CHDX6-223C	130	80	70
CHDX6-224	CHDX6-224C	130	80	85
CHDX6-225	CHDX6-225C	180	80	70
CHDX6-226	CHDX6-226C	180	80	85
CHDX6-227	CHDX6-227C	250	80	70
CHDX6-228	CHDX6-228C	250	80	85
CHDX6-229	CHDX6-229C	175	127	75
CHDX6-230	CHDX6-230C	175	127	100



UNIVERSAL ENCLOSURES

HAND HELD CASES

HEAVY DUTY ENCLOSURES

DIN RAIL ENCLOSURES

INTERFACE SUPPORTS

ELECTRICAL ENCLOSURES

DIECAST & METAL ENCLOSURES

DESKTOP & INSTRUMENT CASES

MULTI-PURPOSE & POTTING BOXES

19" ENCLOSURES

19" CABINETS

DEVELOPMENT BOARD ENCLOSURES

CUSTOM SIZED ENCLOSURES

FSPT/ CUSTOM SERVICES



+44 (0)1638 716101
info@camdenboss.com
www.camdenboss.com

We operate a constant improvement policy, our products are subject to change without notice.

Ver 2

