

8 7 6 5 4 3 2 1

F

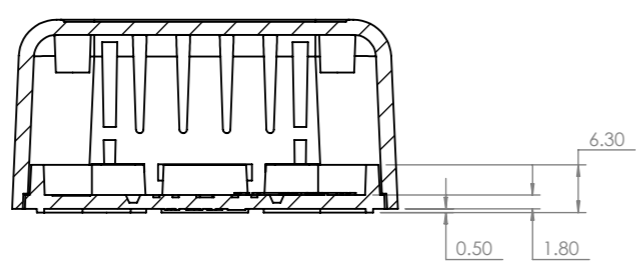
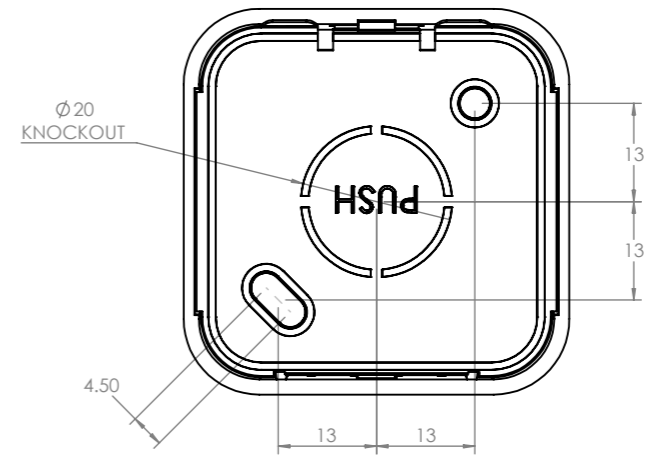
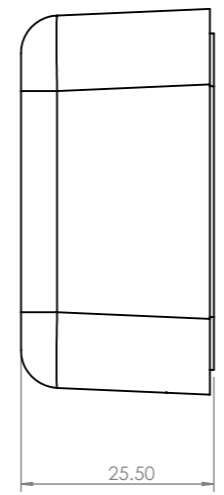
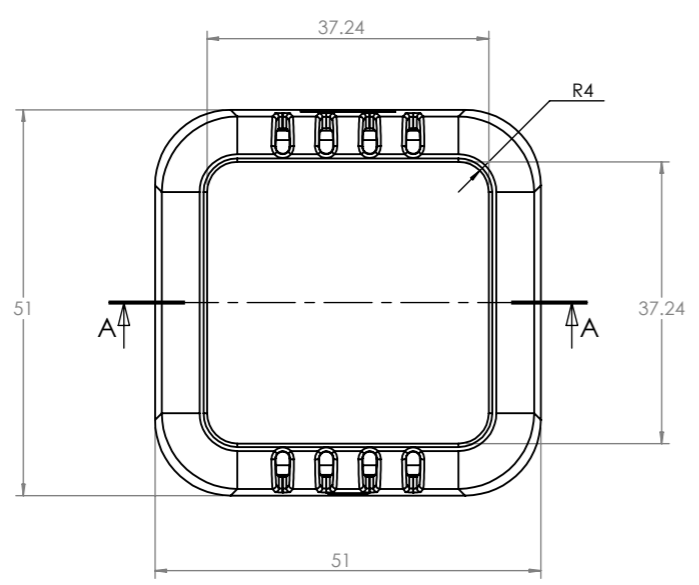
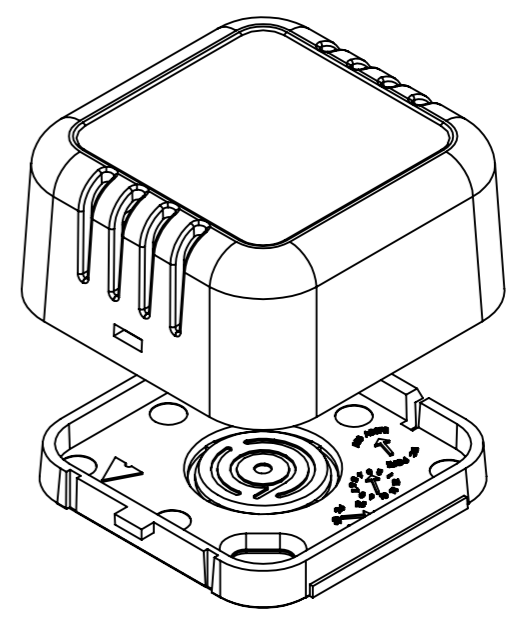
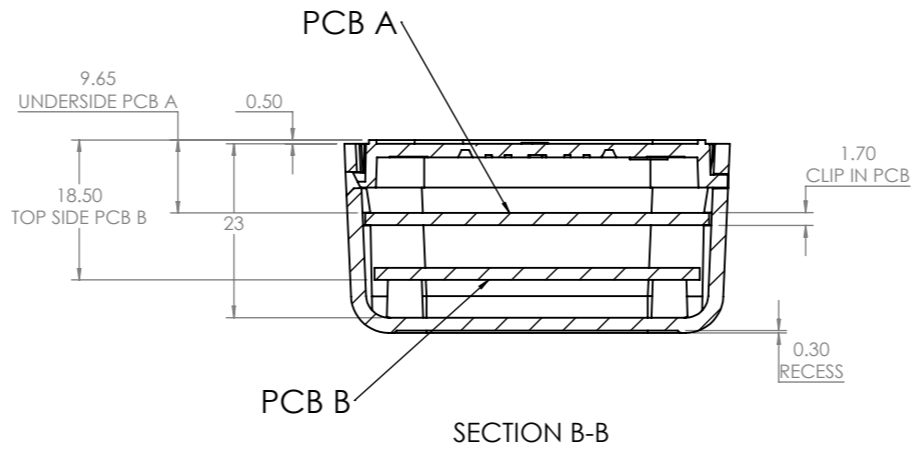
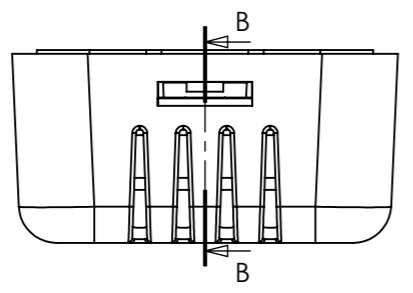
E

D

C

B

A



SECTION A-A

COLOUR	RAL
BLACK	9005
LIGHT-GREY	7047
WHITE	9003

-	-	-	-	-	-
-	-	-	-	-	-
-	-	-	-	-	-
05	15.01.20	-	FIRST PRODUCTION RELEASE	S.HARDINGE	I.PAGANO
REVISION	DATE	ECR	DESCRIPTION	NAME	CHK'D

CAMDENBOSS
CONNECT. ENCLOSE. INNOVATE.

DRAWING UNITS: MILLIMETERS
TOLERANCES: +/-0.2

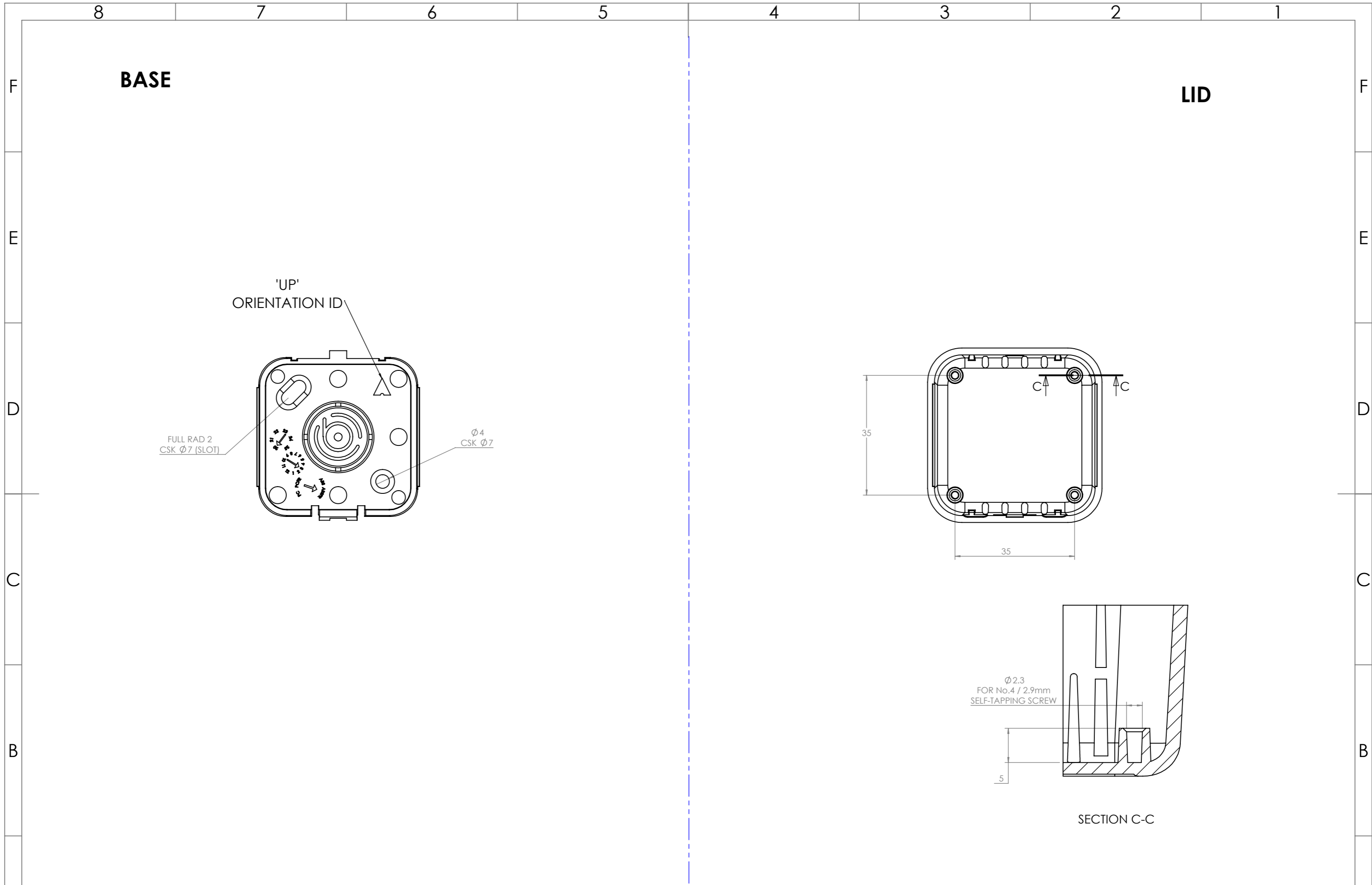
PROJECTION

COLOUR:	SEE TABLE
FINISH:	VDI 30 EXTERNAL & VDI 15 RECESS
MATERIAL:	UL94-V0 ABS

DEBURR AND BREAK SHARP EDGES	DO NOT SCALE DRAWING
TITLE:	GNL ASSY DRG FOR VENTED TOP ROOM SENSOR SIZE 3
DWG NO.	CBR03Vxx

SCALE:	1:1
SHEET 1 OF 3	
A3	

8 7 6 5 4 3 2 1



-	-	-	-	-	-
-	-	-	-	-	-
-	-	-	-	-	-
05	15.01.20	-	FIRST PRODUCTION RELEASE	S.HARDINGE	I.PAGANO
REVISION	DATE	ECR	DESCRIPTION	NAME	CHK'D

CAMDENBOSS
CONNECT. ENCLOSE. INNOVATE.

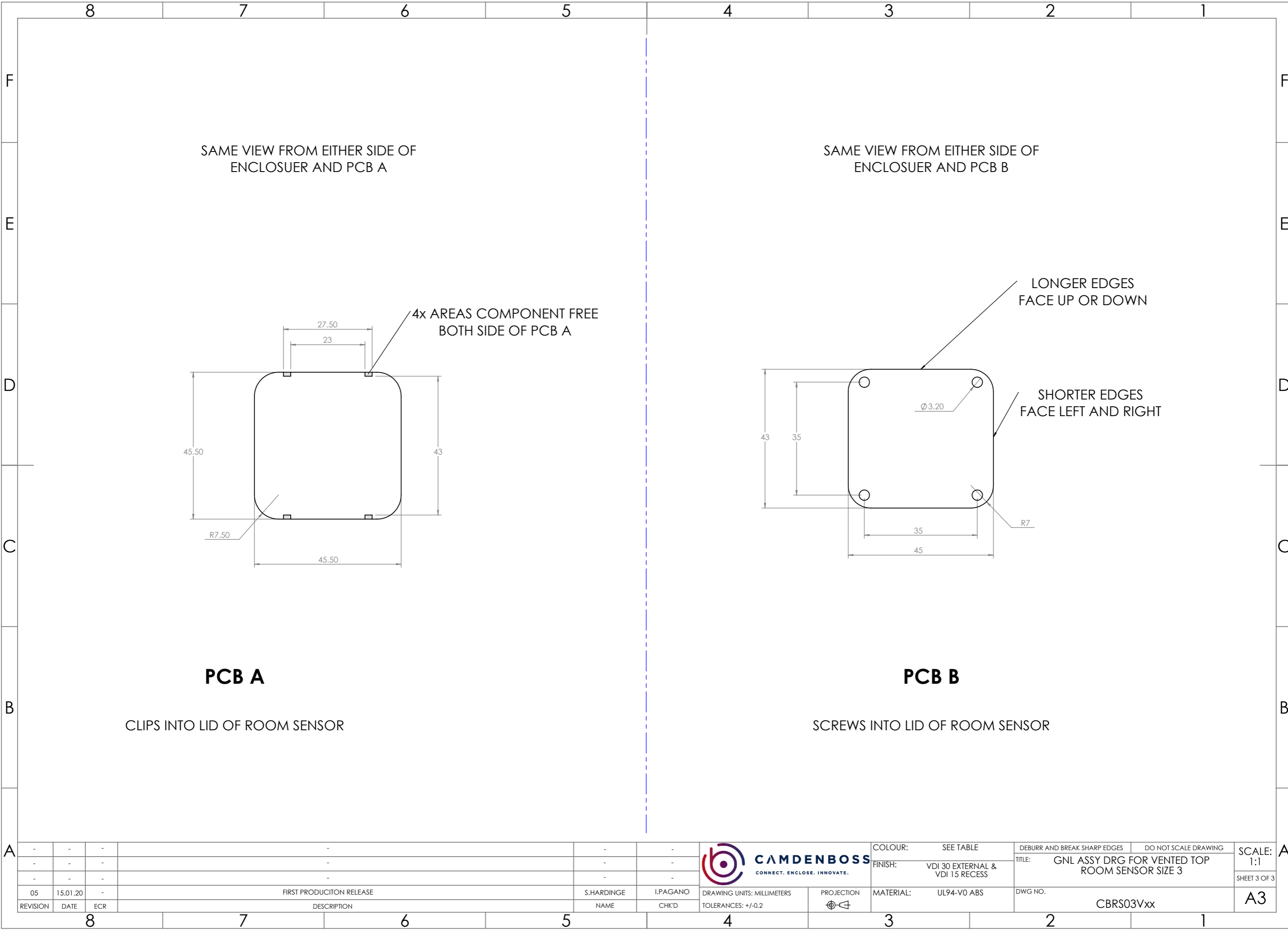
DRAWING UNITS: MILLIMETERS
TOLERANCES: +/-0.2

PROJECTION

COLOUR:	SEE TABLE
FINISH:	VDI 30 EXTERNAL & VDI 15 RECESS
MATERIAL:	UL94-V0 ABS

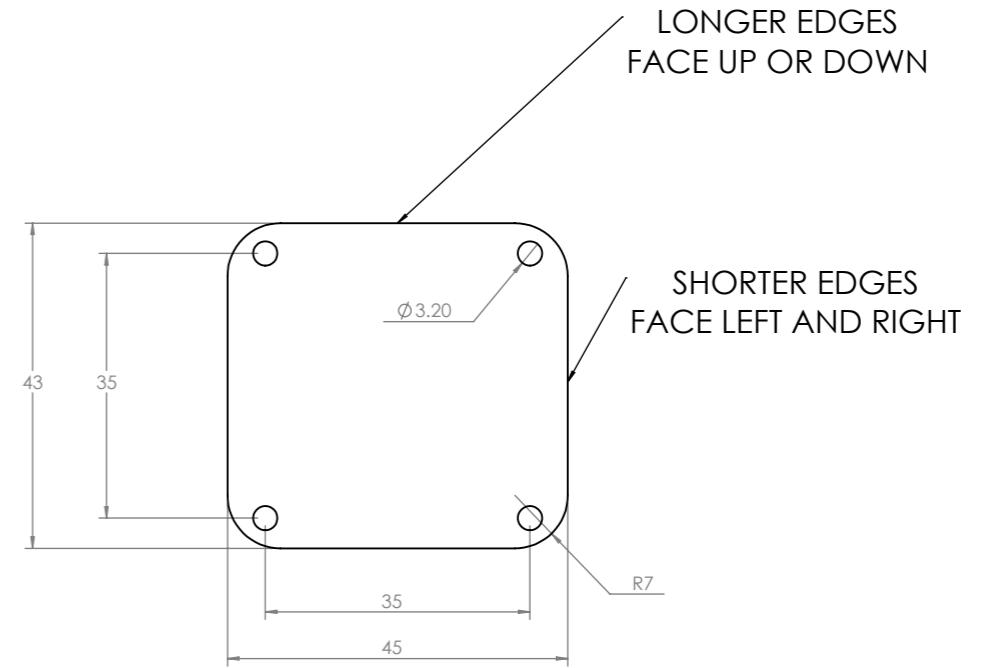
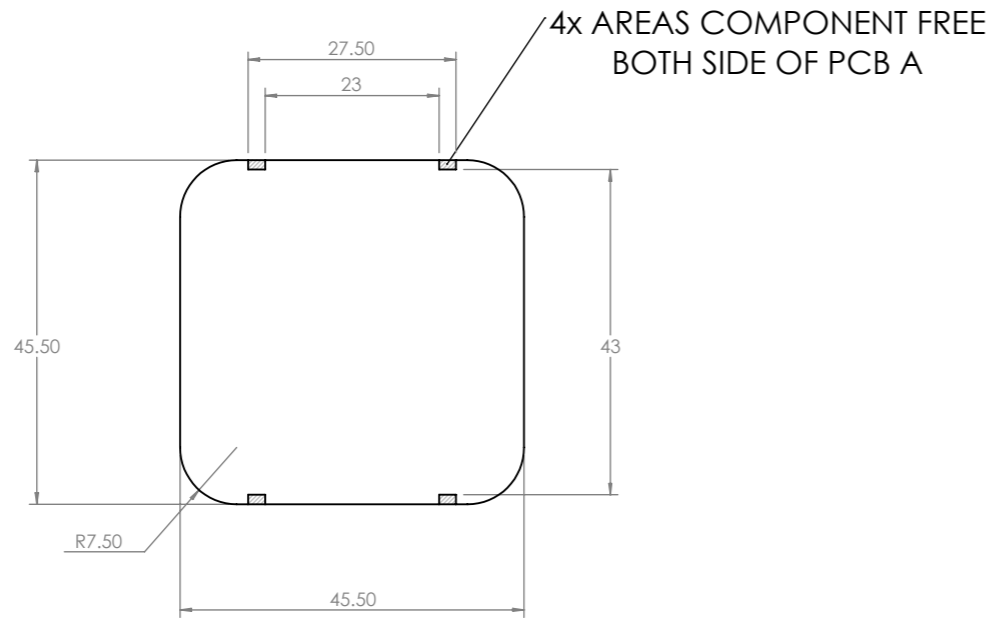
DEBURR AND BREAK SHARP EDGES	DO NOT SCALE DRAWING
TITLE:	GNL ASSY DRG FOR VENTED TOP ROOM SENSOR SIZE 3
DWG NO.	CBRS03Vxx

SCALE:	1:1
SHEET 2 OF 3	
A3	



SAME VIEW FROM EITHER SIDE OF ENCLOSUER AND PCB A

SAME VIEW FROM EITHER SIDE OF ENCLOSUER AND PCB B




PCB A

PCB B

CLIPS INTO LID OF ROOM SENSOR

SCREWS INTO LID OF ROOM SENSOR

-	-	-	-	-	-	 CAMDENBOSS <small>CONNECT. ENCLOSE. INNOVATE.</small>	COLOUR: SEE TABLE	DEBURR AND BREAK SHARP EDGES	DO NOT SCALE DRAWING	SCALE: 1:1
-	-	-	-	-	-		FINISH: VDI 30 EXTERNAL & VDI 15 RECESS	TITLE: GNL ASSY DRG FOR VENTED TOP ROOM SENSOR SIZE 3		SHEET 3 OF 3
05	15.01.20	-	FIRST PRODUICION RELEASE	S.HARDINGE	I.PAGANO		DRAWING UNITS: MILLIMETERS TOLERANCES: +/-0.2	PROJECTION	MATERIAL: UL94-V0 ABS	DWG NO. CBR03Vxx
REVISION	DATE	ECR	DESCRIPTION	NAME	CHK'D					