

1 2 3 4 5 6

A

A

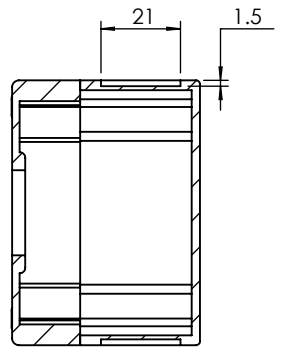
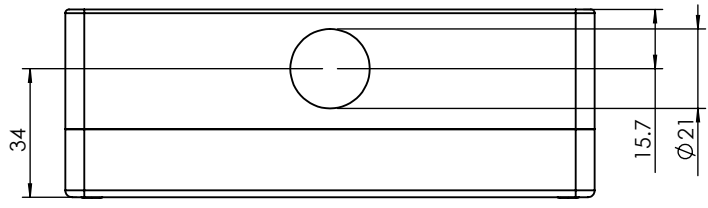
B

B

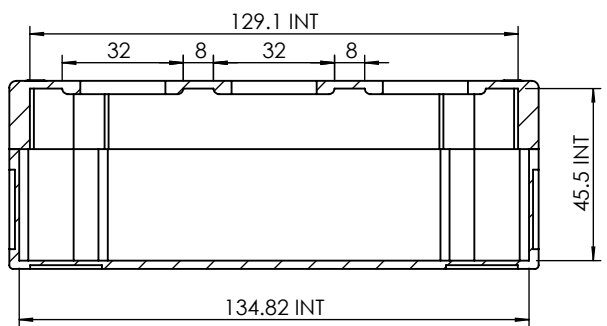
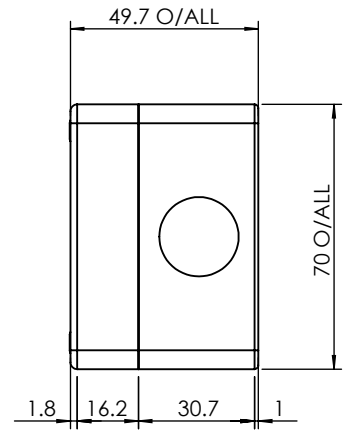
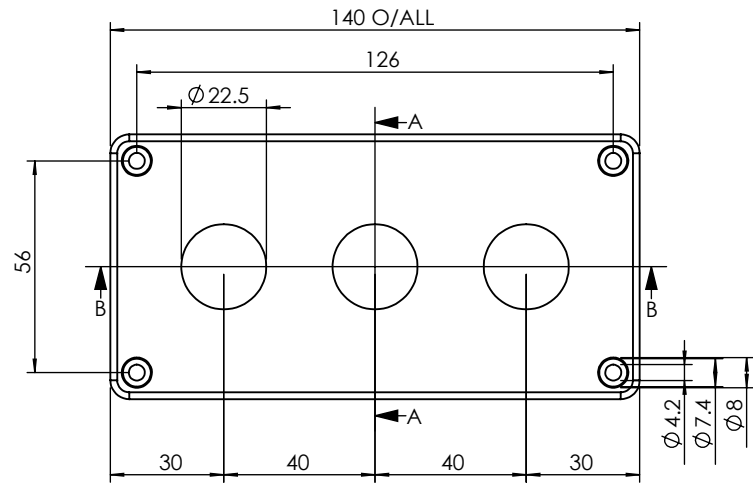
C

C

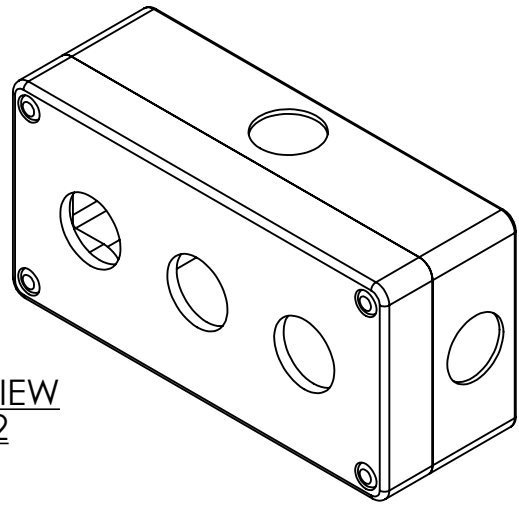
D



SECTION A-A
Cut-out Dimensions



SECTION B-B



ISO VIEW
1:2

 JAMES CARTER RD, MILDENHALL, SUFFOLK. IP28 7DE TEL: 01638 716101 FAX: 01638 716554 EMAIL: Sales@CamdenBoss.com WEB: www.CamdenBoss.com			UNLESS OTHERWISE SPECIFIED: DIMENSIONS ARE IN MILLIMETERS		DO NOT SCALE DRAWING		REVISION. <input type="checkbox"/>		
			GENERAL TOLERANCES +/- 0.2		TITLE: GENERAL DIMENSION DRAWING FOR THREE BUTTON CONTROL STATION				
DRAWN			NAME	SIGNED	DATE	MATERIAL.		DWG NO.	
LEWIS LETCHFORD			LL	14/04/2014	ABS		CCS07GY03		
CHKD			-	-	-	PROJECTION.		A4	
							SCALE: 1:2		
							SHEET 1 OF 1		