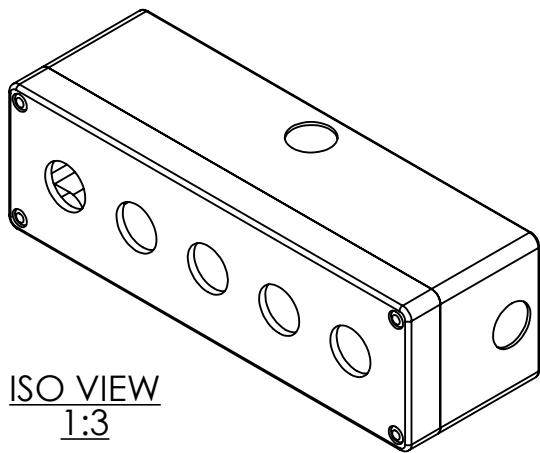
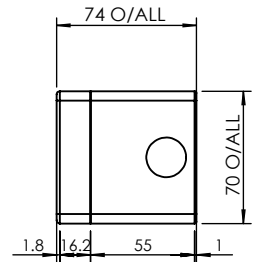
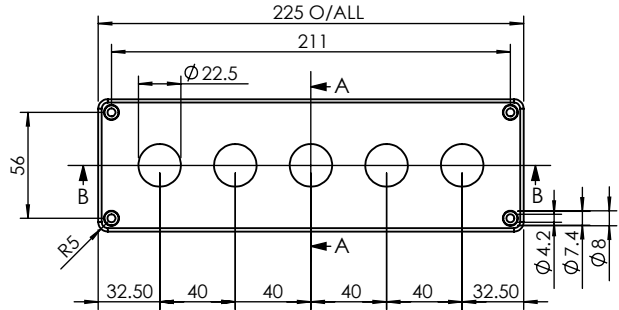
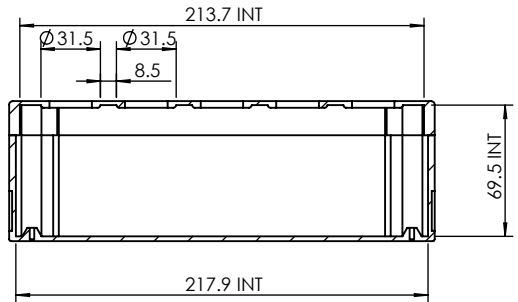


SECTION A-A  
Cut-out Dimensions



ISO VIEW  
1:3



SECTION B-B

			UNLESS OTHERWISE SPECIFIED: DIMENSIONS ARE IN MILLIMETERS		DO NOT SCALE DRAWING	REVISION. <input type="checkbox"/>
			GENERAL TOLERANCES +/- 0.2		TITLE: GENERAL DIMENSION DRAWING FOR FIVE BUTTON CONTROL STATION	
JAMES CARTER RD, MILDENHALL, SUFFOLK. IP28 7DE TEL: 01638 716101 FAX: 01638 716554 EMAIL: Sales@CamdenBoss.com WEB: www.CamdenBoss.com			FINISH. FINE TEXTURE		DWG NO. CCS11GY05	A4
DRAWN	NAME	SIGNED	DATE	MATERIAL. ABS	SCALE. 1:4	SHEET 1 OF 1
CHKD	-	-	-	PROJECTION.		