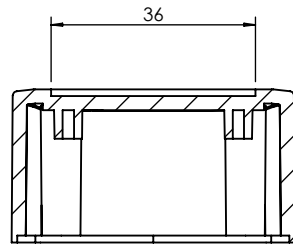


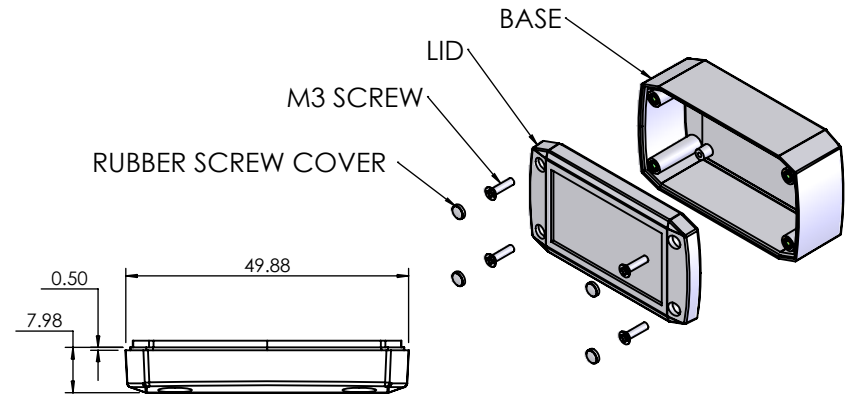
OVERALL ASSEMBLY DIMENSIONS:

EXTERNAL - 90 x 50 x 35

INTERNAL - 85 x 45 x 27.5



SECTION A-A

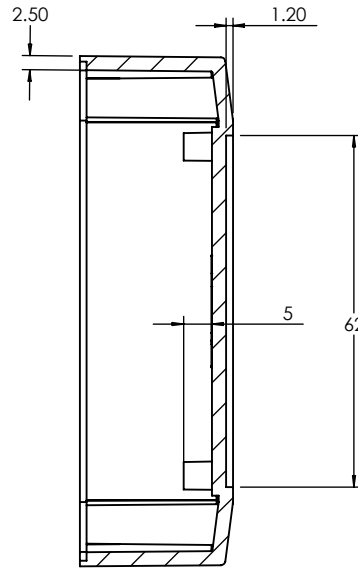
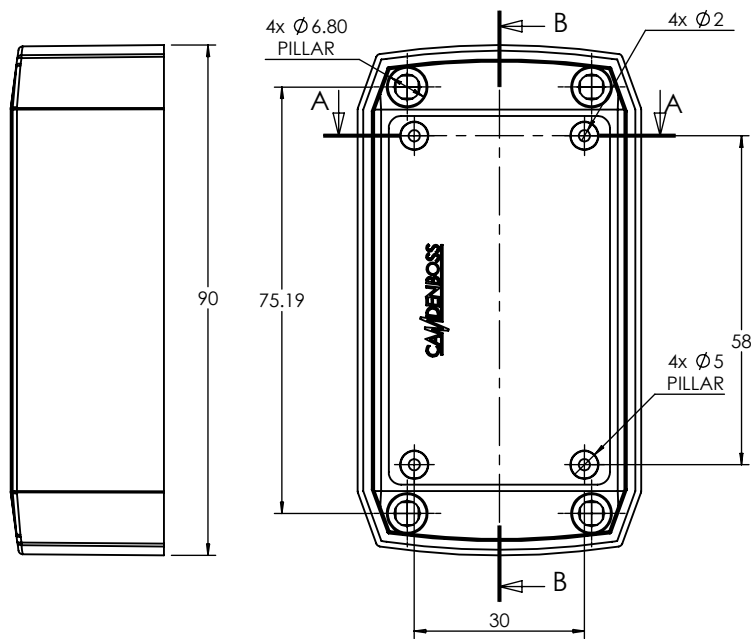


A

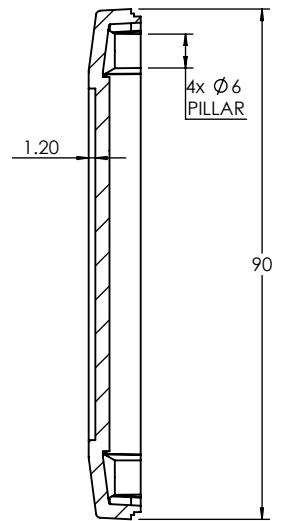
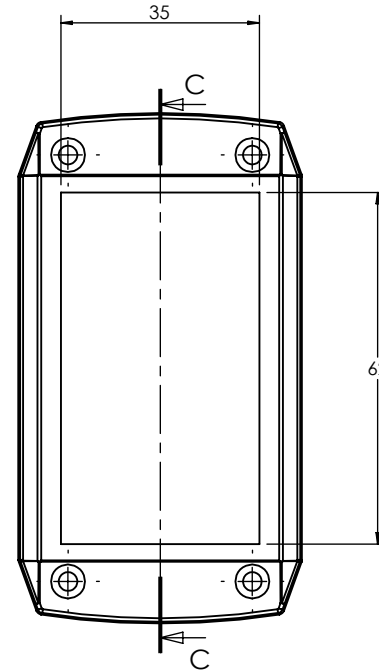
A

B

B



SECTION B-B

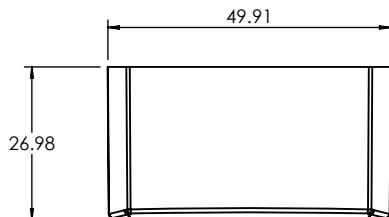


SECTION C-C

C

C

BASE



LID

D

D



JAMES CARTER RD, MILDENHALL, SUFFOLK, IP28 7DE
 TEL: 01638 716101 FAX: 01638 716554
 EMAIL: Sales@CamdenBoss.com
 WEB: www.CamdenBoss.com

UNLESS OTHERWISE SPECIFIED:
 DIMENSIONS ARE IN MILLIMETERS

DO NOT SCALE DRAWING

REVISION. 0

FINISH.
 SMOOTH

TITLE:
 GNL ASSEMBLY DRG FOR
 1101 SERIES - CSACST001

	NAME	SIGNED	DATE
DRAWN	IAN PAGANO	I.P.	06/07/13
CHKD	-	-	-

MATERIAL.
 ABS

PROJECTION.

DWG NO. CSACST001

SCALE: 3 : 4

SHEET 1 OF 1

A4

1

2

3