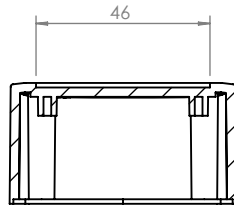


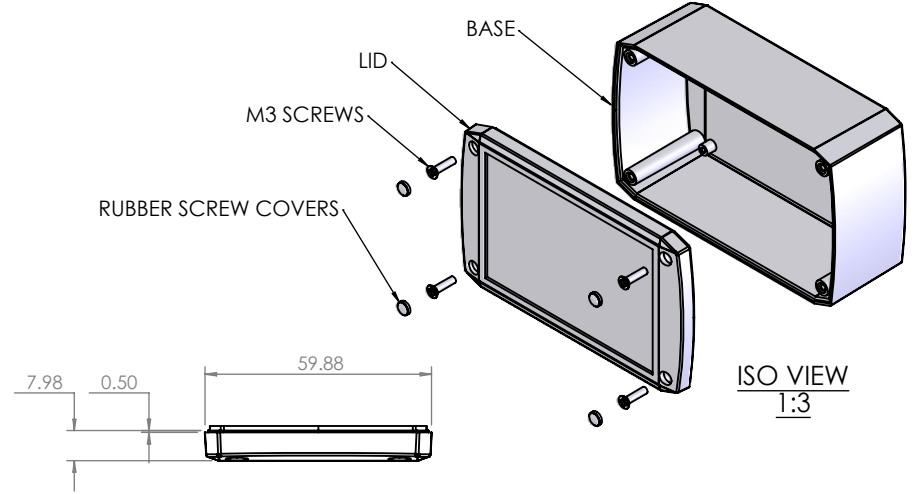
OVERALL ASSEMBLY DIMENSIONS:

EXTERNAL - 110 x 60 x 40

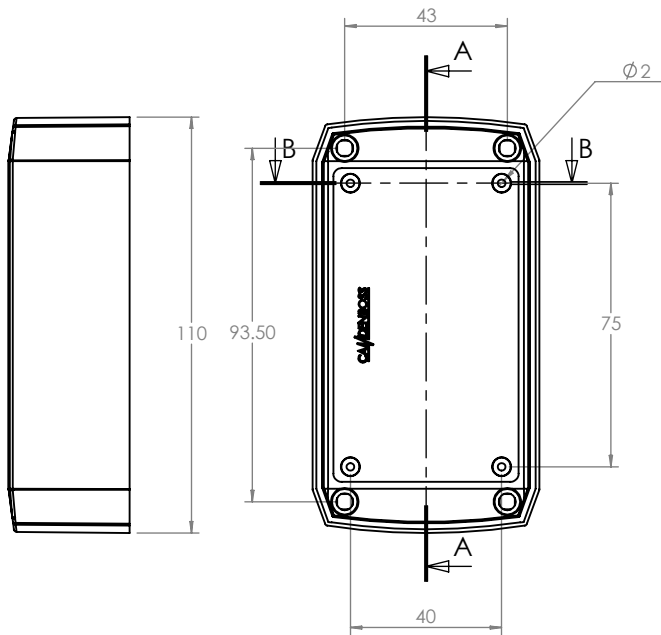
INTERNAL - 105 x 55 x 32.5



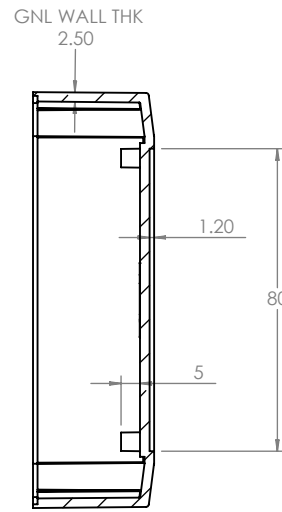
SECTION B-B



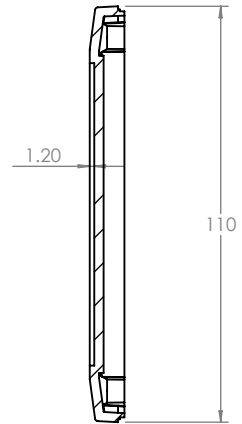
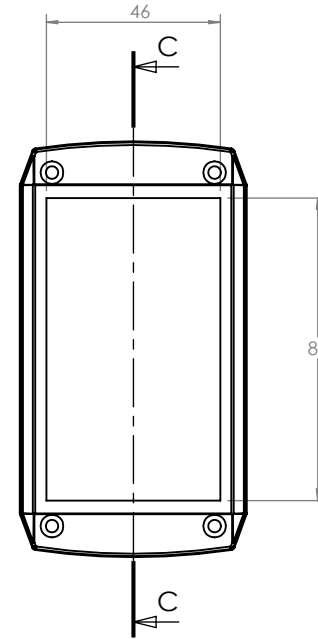
ISO VIEW  
1:3



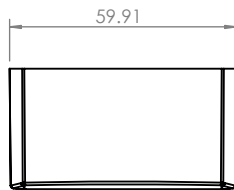
BASE



SECTION A-A



SECTION C-C  
LID



**CAMDENBOSS**  
ELECTRONICS & ENCLOSURES

JAMES CARTER RD, MILDENHALL, SUFFOLK. IP28 7DE  
TEL: 01638 716101 FAX: 01638 716554  
EMAIL: Sales@CamdenBoss.com  
WEB: www.CamdenBoss.com

UNLESS OTHERWISE SPECIFIED:  
DIMENSIONS ARE IN MILLIMETERS

FINISH:  
SMOOTH

MATERIAL:  
ABS

PROJECTION:

DO NOT SCALE DRAWING

REVISION: 0

TITLE: GNL ASSEMBLY DRG FOR  
1101 SERIES - CSACST002

DWG NO.

CSACST002

A4

SCALE: 1 : 2

SHEET 1 OF 1

	NAME	SIGNED	DATE
DRAWN	IAN PAGANO	I.P.	17/06/13
CHKD	-	-	-