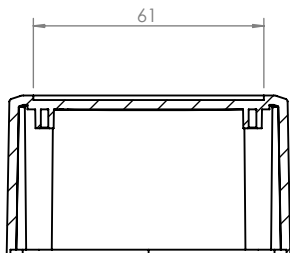


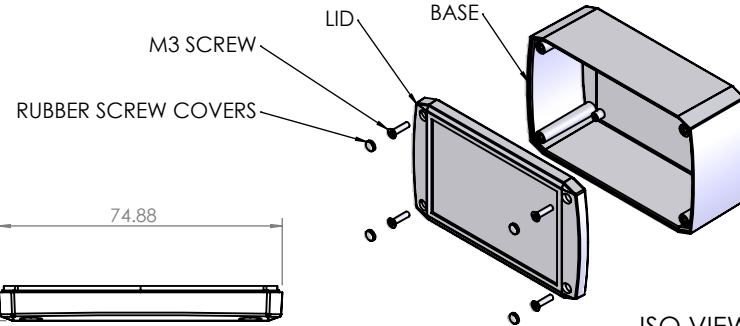
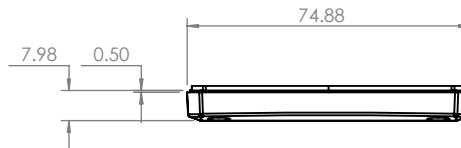
OVERALL ASSEMBLY DIMENSIONS:

EXTERNAL - 125 x 75 x 50

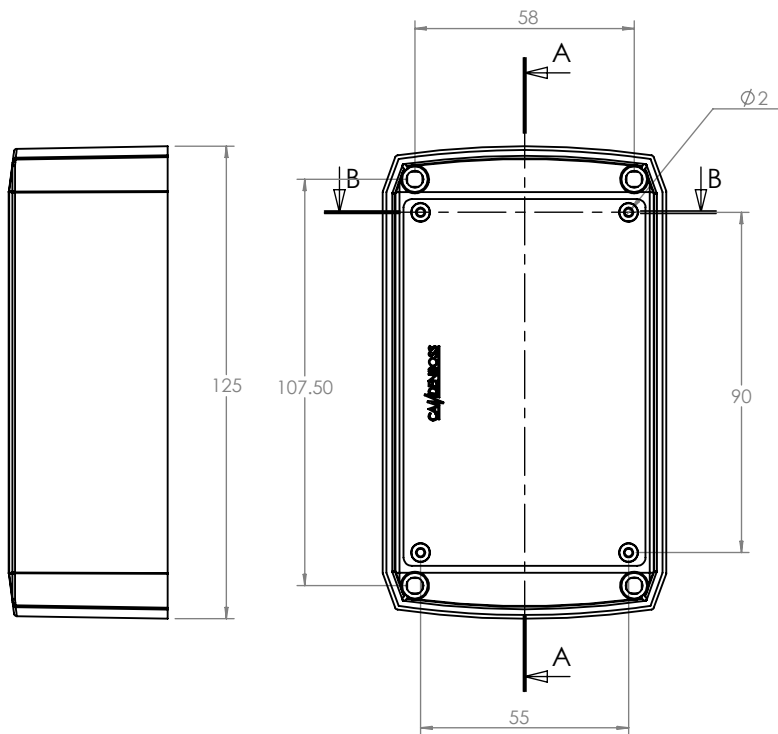
INTERNAL - 120 x 70 x 42.5



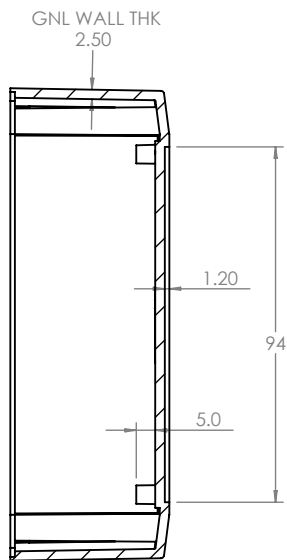
SECTION B-B



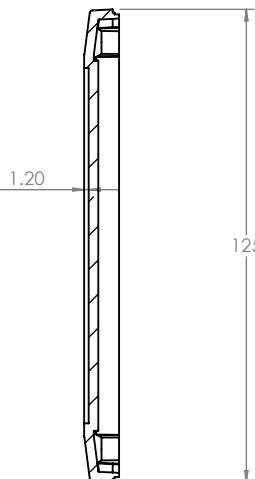
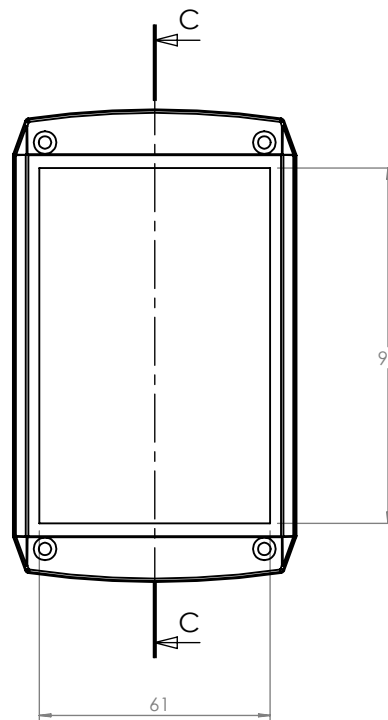
ISO VIEW 1:4



BASE

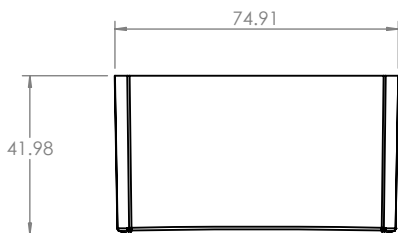


SECTION A-A



SECTION C-C

LID



<p>UNLESS OTHERWISE SPECIFIED: DIMENSIONS ARE IN MILLIMETERS</p>				DO NOT SCALE DRAWING		REVISION: 0	
				TITLE: GNL ASSEMBLY DRG FOR 1101 SERIES - CSACST003			
JAMES CARTER RD, MILDENHALL, SUFFOLK, IP28 7DE TEL: 01 638 716101 FAX: 01 638 716554 EMAIL: SALES@CAMDENBOSS.COM WEB: WWW.CAMDENBOSS.COM				FINISH: SMOOTH		DWG NO. CSACST003	
DRAWN: IAN PAGANO		SIGNED: I.P.		DATE: 06/07/13		MATERIAL: ABS	
CHKD: -		-		-		PROJECTION:	
SCALE: 1:2						SHEET 1 OF 1	

A4