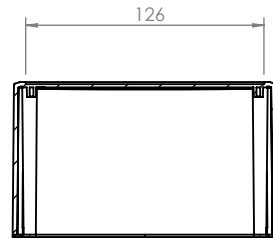
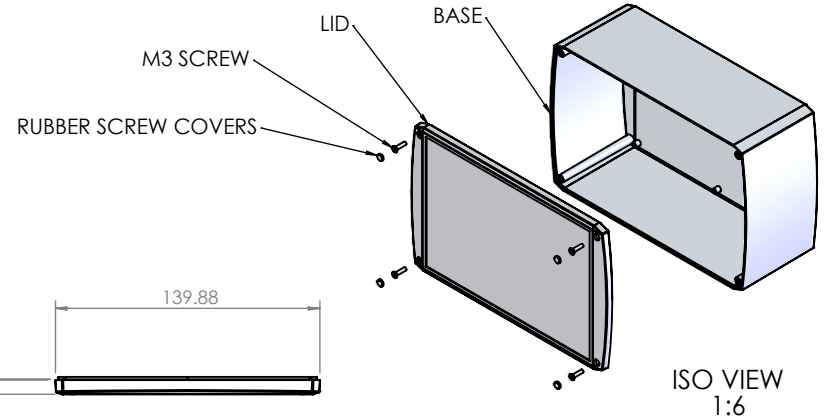


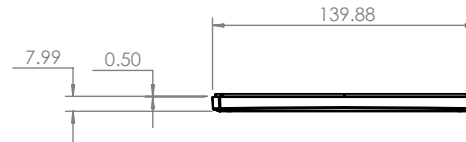
OVERALL ASSEMBLY DIMENSIONS:

EXTERNAL - 220 x 140 x 90

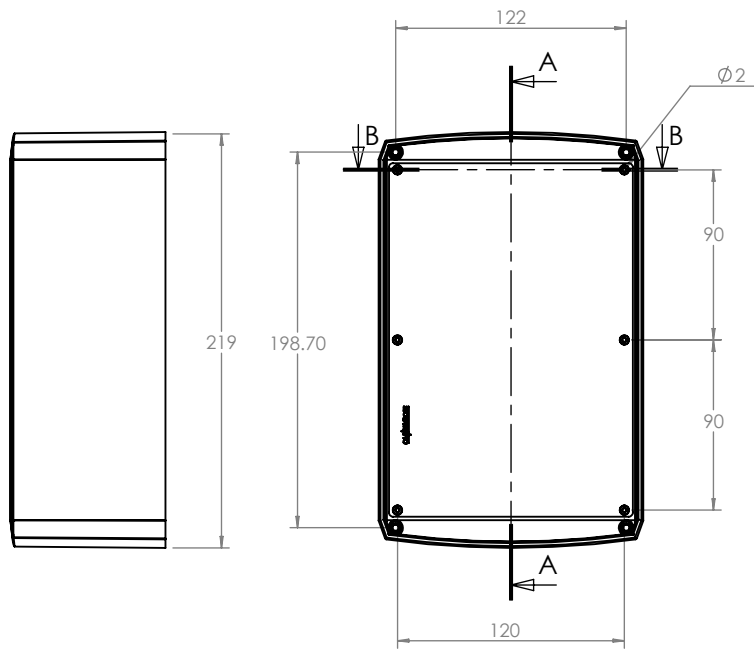
INTERNAL - 215 x 135 x 82.5



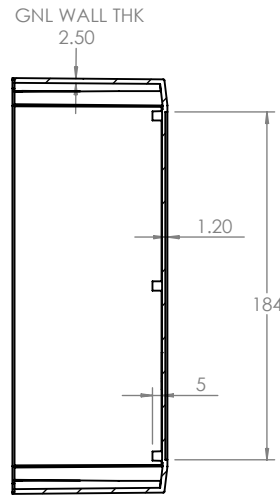
SECTION B-B



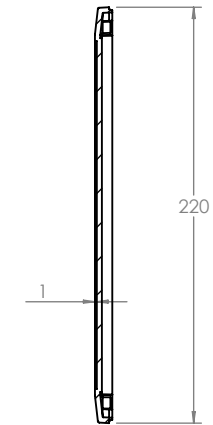
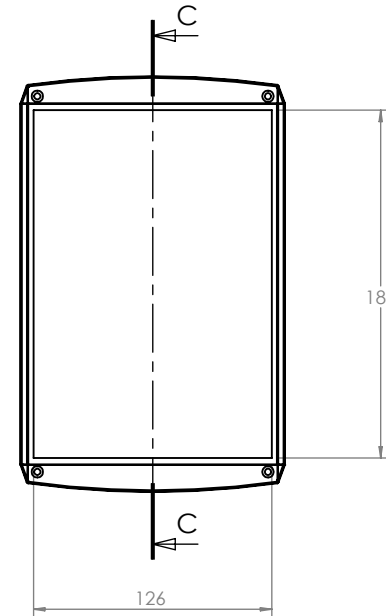
ISO VIEW  
1:6



BASE

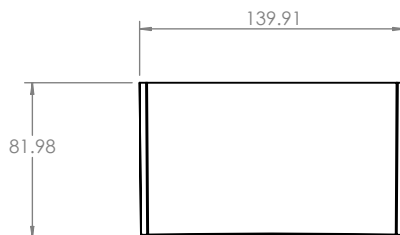


SECTION A-A



SECTION C-C

LID



 JAMES CARTER RD, MILDENHALL, SUFFOLK. IP28 7DE TEL: 01638 716101 FAX: 01638 716554 EMAIL: Sales@CamdenBoss.com WEB: www.CamdenBoss.com		UNLESS OTHERWISE SPECIFIED: DIMENSIONS ARE IN MILLIMETERS		DO NOT SCALE DRAWING	REVISION: 0
		FINISH: <b>SMOOTH</b>		TITLE: <b>GNL ASSEMBLY DRG FOR 1101 SERIES - CSACST006</b>	
DRAWN	NAME IAN PAGANO	SIGNED I.P.	DATE 06/08/13	MATERIAL: <b>ABS</b>	DWG NO. <b>CSACST006</b>
CHKD	-	-	-	PROJECTION:	SCALE: 1 : 4
				SHEET 1 OF 1	

A4