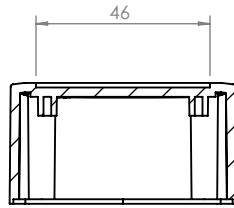


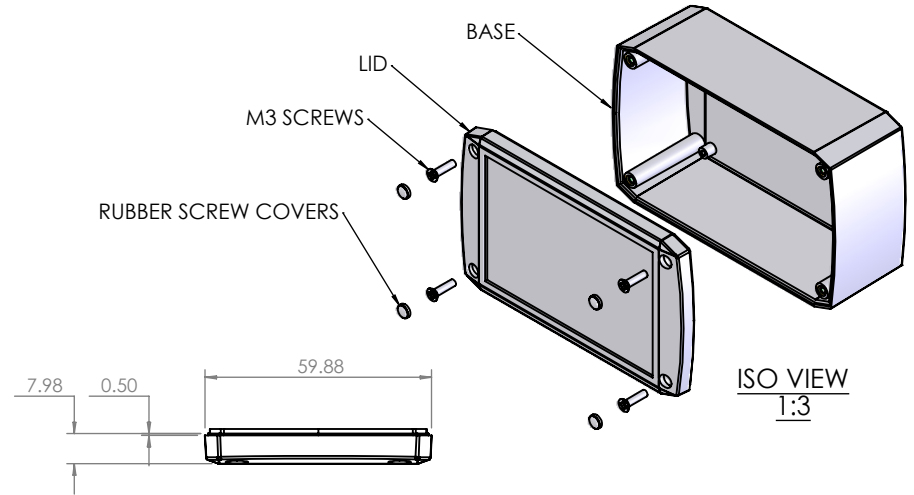
OVERALL ASSEMBLY DIMENSIONS:

EXTERNAL - 110 x 60 x 40

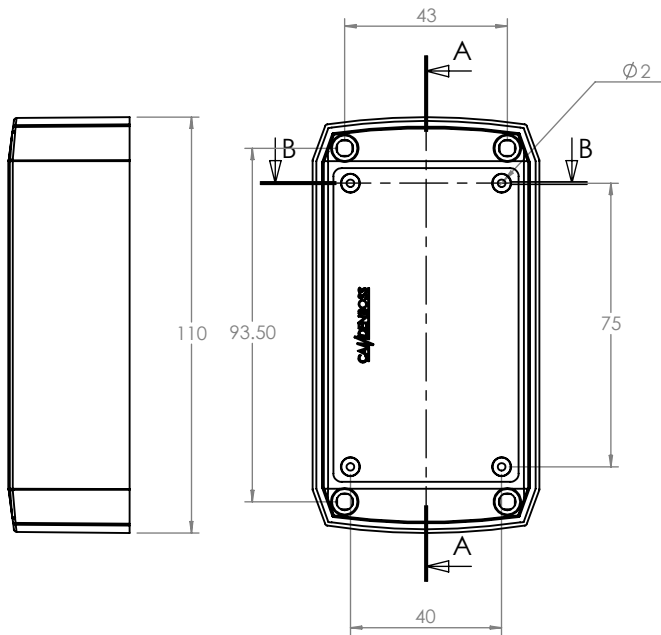
INTERNAL - 105 x 55 x 32.5



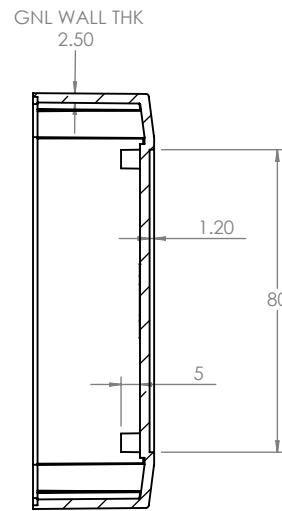
SECTION B-B



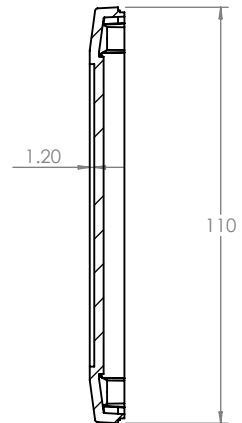
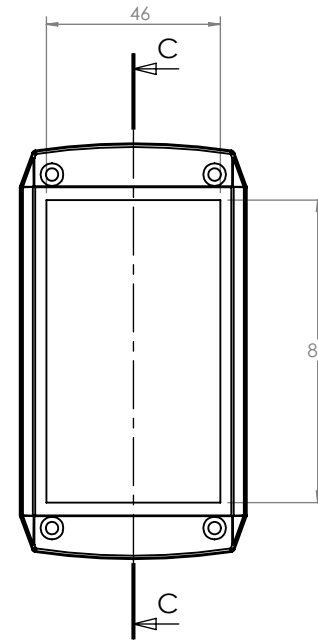
ISO VIEW  
1:3



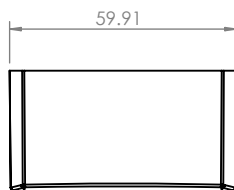
BASE



SECTION A-A



SECTION C-C  
LID



**CAMDENBOSS**  
ELECTRONICS & ENCLOSURES

JAMES CARTER RD, MILDENHALL, SUFFOLK. IP28 7DE  
TEL: 01638 716101 FAX: 01638 716554  
EMAIL: Sales@CamdenBoss.com  
WEB: www.CamdenBoss.com

UNLESS OTHERWISE SPECIFIED:  
DIMENSIONS ARE IN MILLIMETERS

FINISH.

SMOOTH

MATERIAL. ABS &  
POLYCARBONATE

PROJECTION.

DO NOT SCALE DRAWING

REVISION. 0

TITLE:

GNL ASSEMBLY DRG FOR  
1101 SERIES - CSACT002

DWG NO.

CSACTT002

A4

	NAME	SIGNED	DATE
DRAWN	IAN PAGANO	I.P.	17/06/13
CHKD	-	-	-

CHKD

PROJECTION.

SCALE. 1 : 2

SHEET 1 OF 1