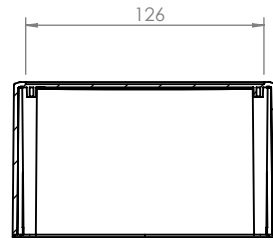
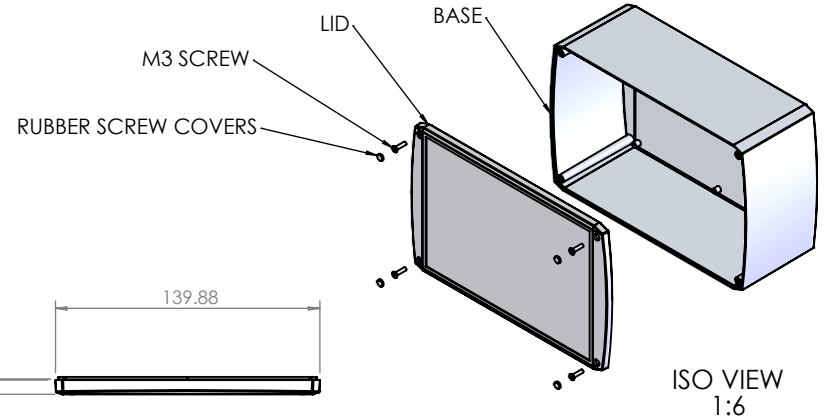
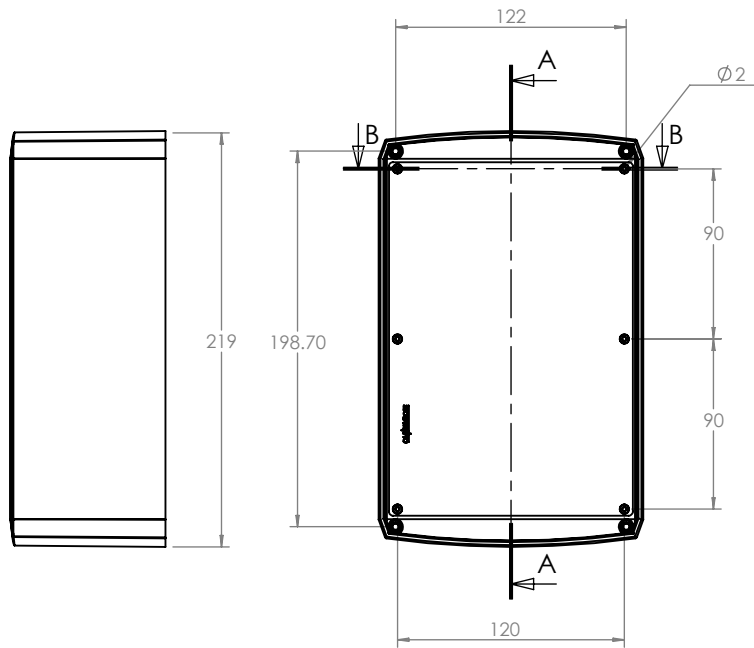
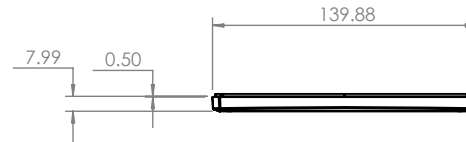


OVERALL ASSEMBLY DIMENSIONS:

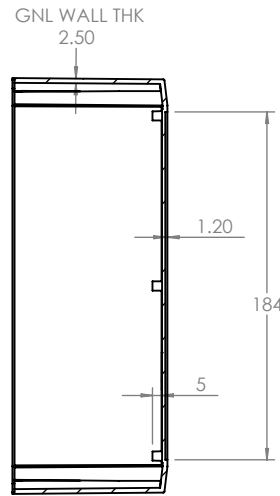
EXTERNAL - 220 x 140 x 90
INTERNAL - 215 x 135 x 82.5



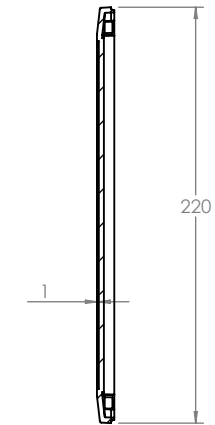
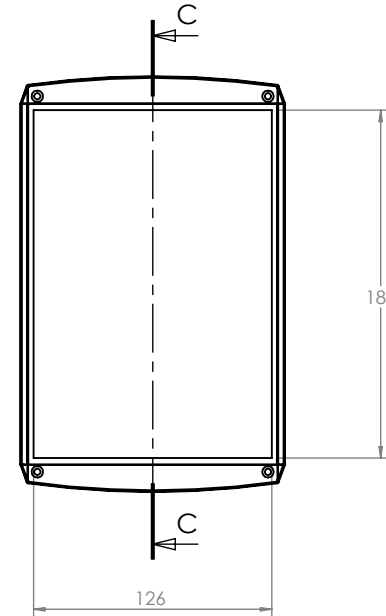
SECTION B-B



BASE

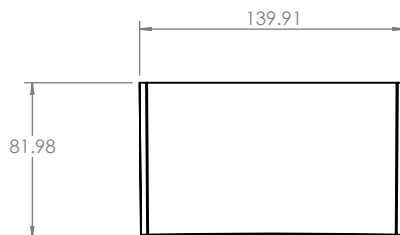


SECTION A-A



SECTION C-C

LID



 JAMES CARTER RD, MILDENHALL, SUFFOLK. IP28 7DE TEL: 01638 716101 FAX: 01638 716554 EMAIL: Sales@CamdenBoss.com WEB: www.CamdenBoss.com				UNLESS OTHERWISE SPECIFIED: DIMENSIONS ARE IN MILLIMETERS		DO NOT SCALE DRAWING	REVISION: 0
				FINISH: SMOOTH		TITLE: GNL ASSEMBLY DRG FOR 1101 SERIES - CSACST006	
DRAWN	NAME IAN PAGANO	SIGNED I.P.	DATE 06/08/13	MATERIAL: ABS & POLYCARBONATE	DWG NO.	CSACTT006	
CHKD	-	-	-	PROJECTION:	SCALE: 1 : 4	SHEET 1 OF 1	

A4