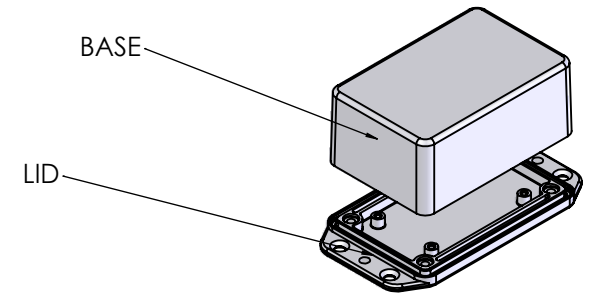


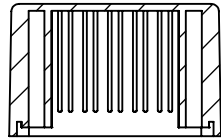
OVERALL ASSEMBLY DIMENSIONS:

EXTERNAL - 108 x 58 x 39.5

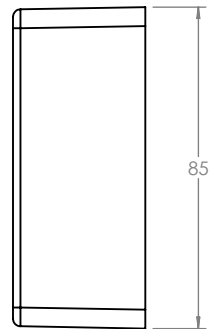
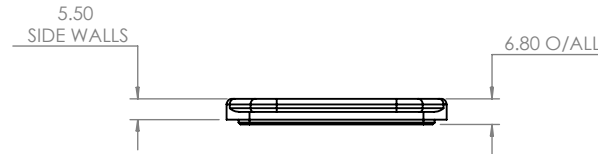
INTERNAL - 81.4 x 52.4 x 34.5



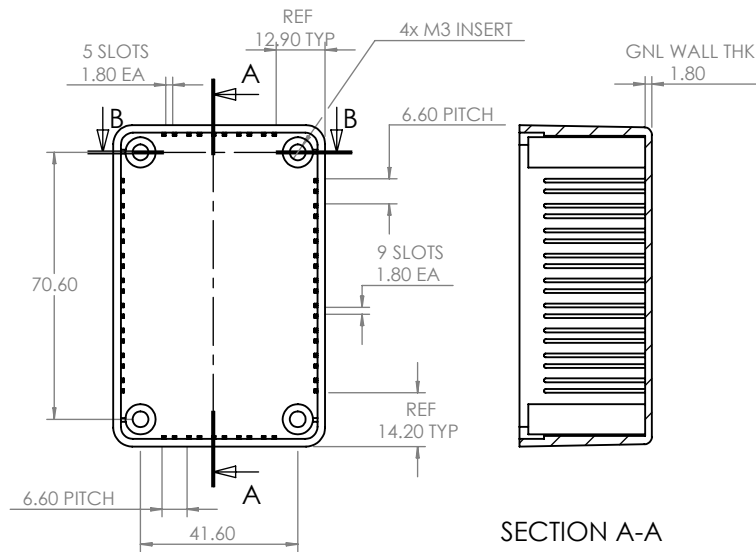
ISO VIEW  
1:3



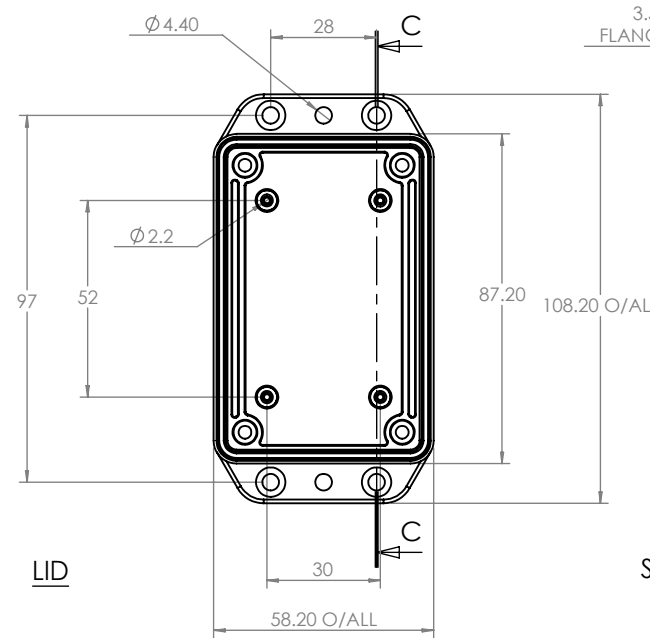
SECTION B-B



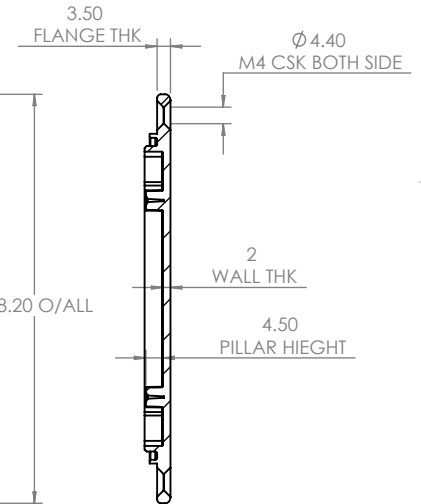
BASE



SECTION A-A



LID



SECTION C-C

**CAMDENBOSS**  
ELECTRONICS & ENCLOSURES

JAMES CARTER RD, MILDENHALL, SUFFOLK, IP28 7DE  
TEL: 01638 716101 FAX: 01638 716554  
EMAIL: Sales@CamdenBoss.com  
WEB: www.CamdenBoss.com

UNLESS OTHERWISE SPECIFIED:  
DIMENSIONS ARE IN MILLIMETERS

FINISH.  
SMOOTH

MATERIAL.  
ABS

PROJECTION.

DO NOT SCALE DRAWING

REVISION. 0

TITLE:

GNL ASSY DRG FOR IP  
2000-SERIES ENCLOSURE

DWG NO.

2001-IP

A4

	NAME	SIGNED	DATE
DRAWN	S.HARDINGE	SJH	30/09/05
CHKD	-	-	-

SCALE: 1 : 2

SHEET 1 OF 1