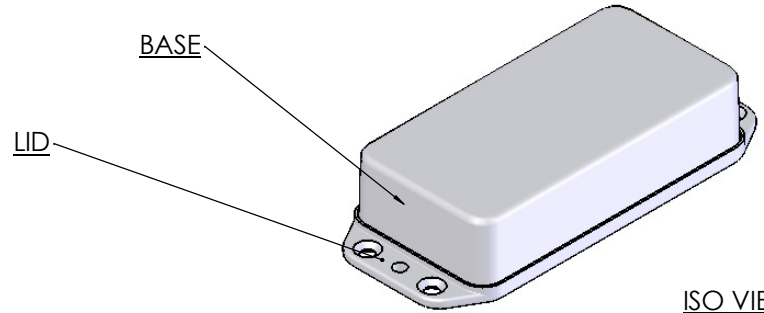


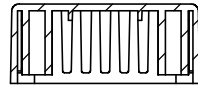
OVERALL ASSEMBLY DIMENSIONS:

EXTERNAL - 123 x 52 x 25.5

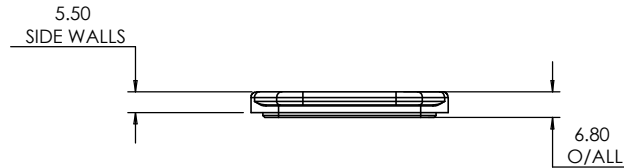
INTERNAL - 96.4 x 46.4 x 21.4



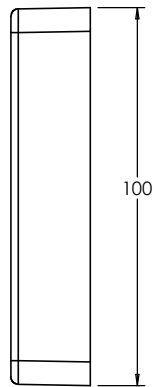
ISO VIEW  
1:2



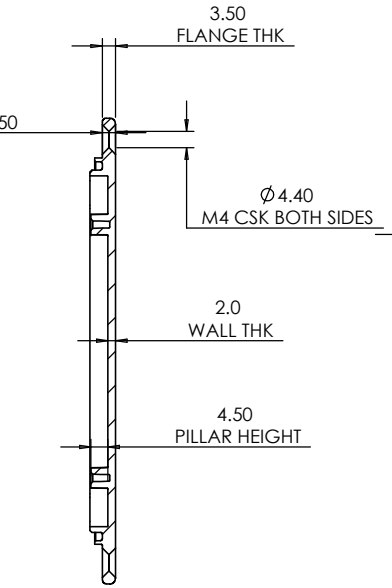
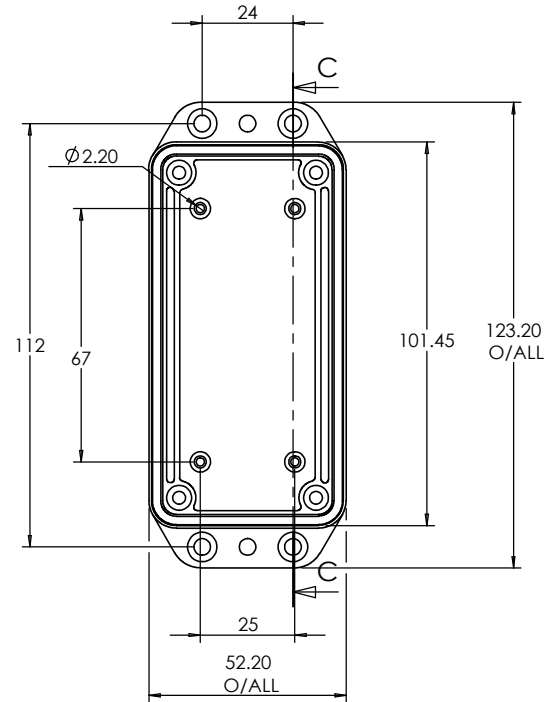
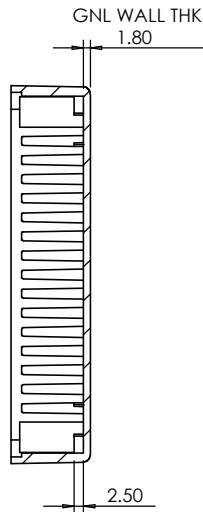
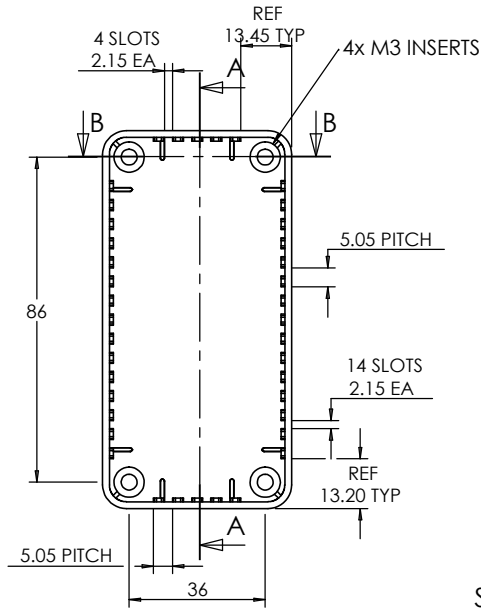
SECTION B-B



SECTION A-A



BASE



SECTION C-C



JAMES CARTER RD, MILDENHALL, SUFFOLK. IP28 7DE  
TEL: 01638 716101 FAX: 01638 716554  
EMAIL: Sales@CamdenBoss.com  
WEB: www.CamdenBoss.com

UNLESS OTHERWISE SPECIFIED:  
DIMENSIONS ARE IN MILLIMETERS

DO NOT SCALE DRAWING

REVISION. 0

FINISH:  
SMOOTH

TITLE:

GNL ASSEMBLY DRG FOR IP  
2000-SERIES ENCLOSURE

	NAME	SIGNED	DATE
DRAWN	SUBKHANKULOVA	LS	27/02/09
CHK'D	-	-	-

MATERIAL:  
ABS  
PROJECTION.

DWG NO. 2002-IP  
SCALE: 1:2

A4  
SHEET 1 OF 1