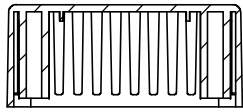


OVERALL ASSEMBLY DIMENSIONS:

EXTERNAL - 112 x 62 x 31

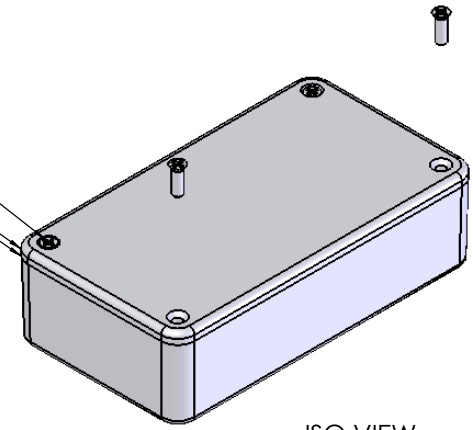
INTERNAL - 108.4 x 58.4 x 27.4



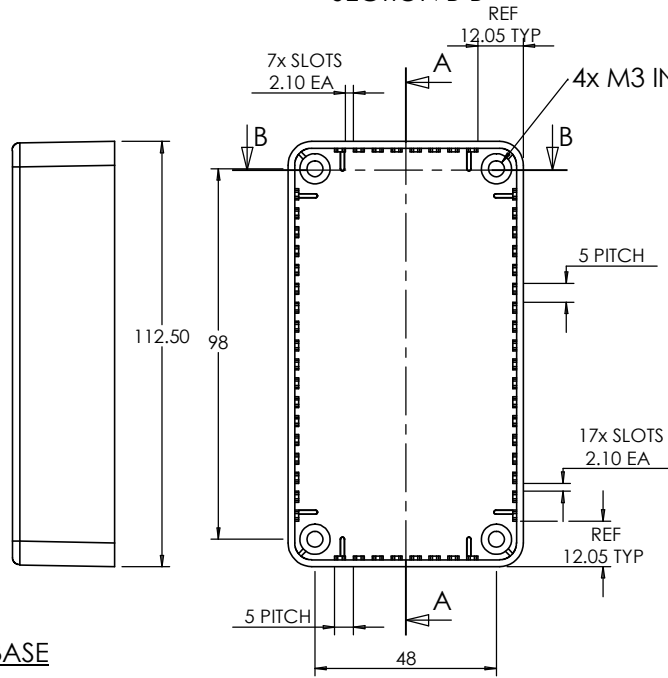
SECTION B-B



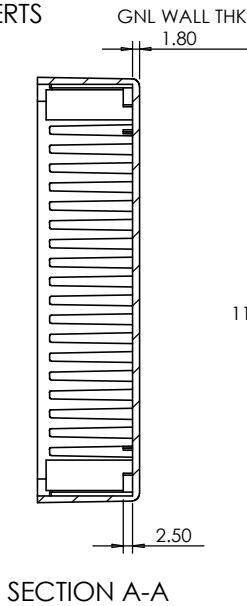
M3 CSK SCREW
LID
BASE



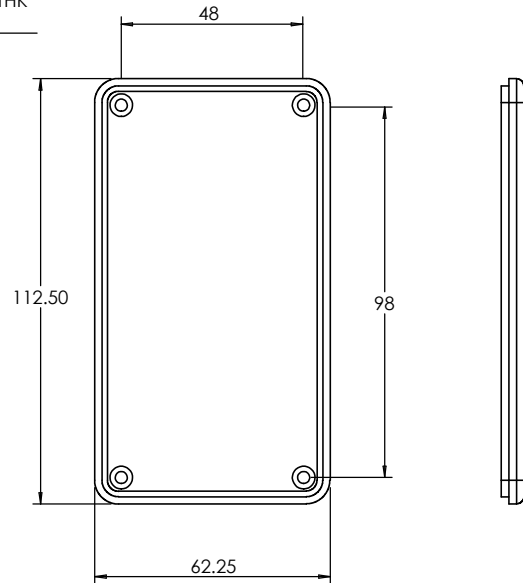
ISO VIEW



BASE



SECTION A-A



LID

<p>JAMES CARTER RD, MILDENHALL, SUFFOLK. IP28 7DE TEL: 01638 716101 FAX: 01638 716554 EMAIL: Sales@CamdenBoss.com WEB: www.CamdenBoss.com</p>				UNLESS OTHERWISE SPECIFIED: DIMENSIONS ARE IN MILLIMETERS		DO NOT SCALE DRAWING	REVISION. 0
				FINISH. SMOOTH		TITLE: ASSEMBLY DRG FOR 2003,13	
DRAWN S.HARDINGE		SIGNED SJH	DATE 04/10/05	MATERIAL. ABS		DWG NO. 2003,13	A4
CHKD	-	-	-	PROJECTION.		SCALE: 1 : 2	SHEET 1 OF 1