

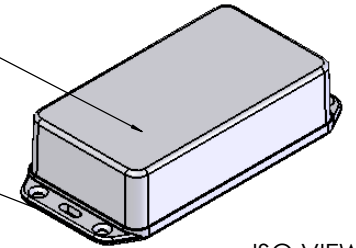
OVERALL ASSEMBLY DIMENSIONS:

EXTERNAL - 136 x 64.6 x 31.5

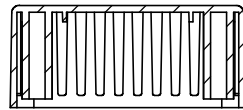
INTERNAL 108.4 x 58.4 x 27.4

BASE

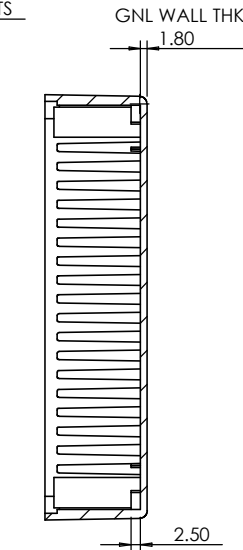
LID



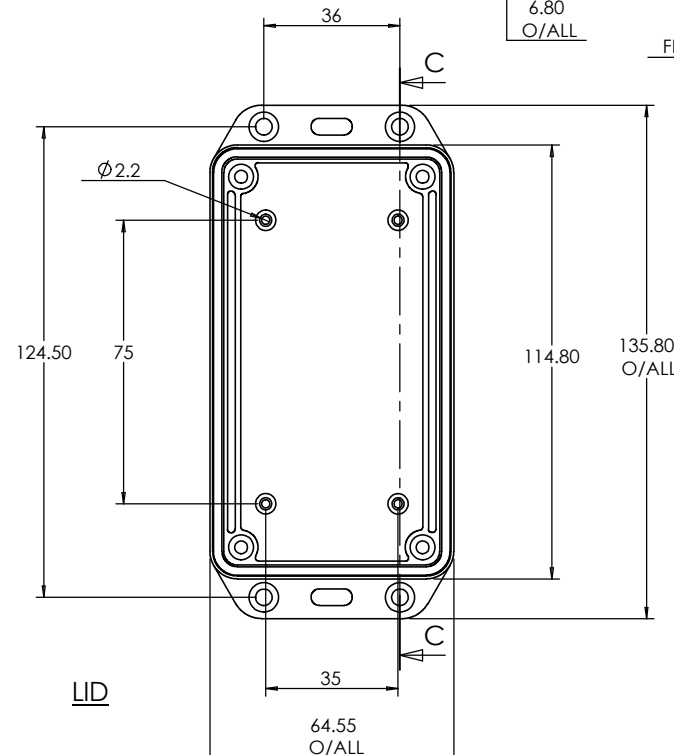
ISO VIEW  
1:3



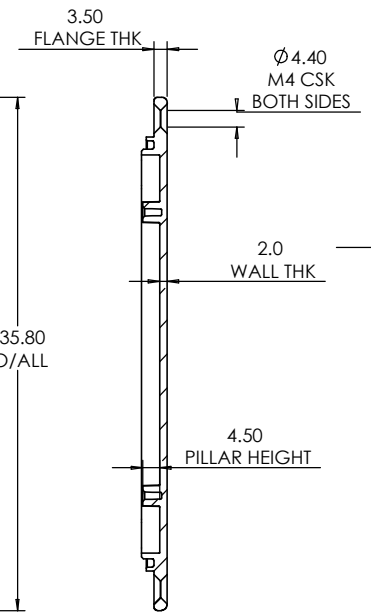
SECTION B-B



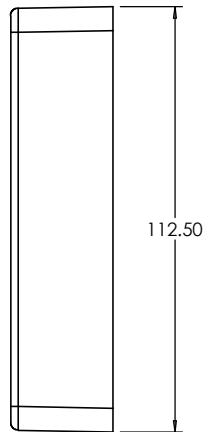
SECTION A-A



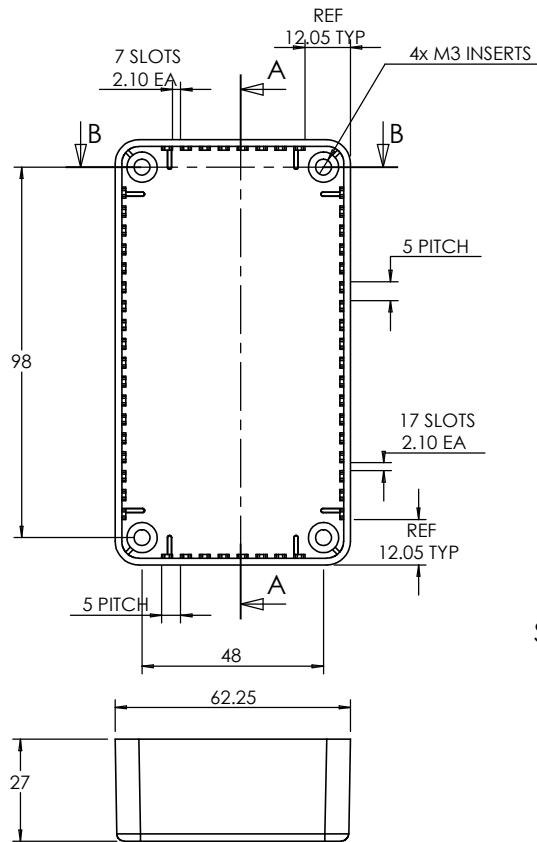
LID



SECTION C-C



BASE



JAMES CARTER RD, MILDENHALL, SUFFOLK. IP28 7DE  
TEL: 01638 716101 FAX: 01638 716554  
EMAIL: Sales@CamdenBoss.com  
WEB: www.CamdenBoss.com

UNLESS OTHERWISE SPECIFIED:  
DIMENSIONS ARE IN MILLIMETERS

DO NOT SCALE DRAWING

REVISION. 0

FINISH.

SMOOTH

TITLE:

GNL ASSY DRG FOR IP  
2000-SERIES ENCLOSURE

MATERIAL.

ABS

DWG NO.

2003-IP

A4

DRAWN SUBKHANKULOVA LS 27/02/09

CHKD - - -

PROJECTION.

SCALE: 1:2

SHEET 1 OF 1