

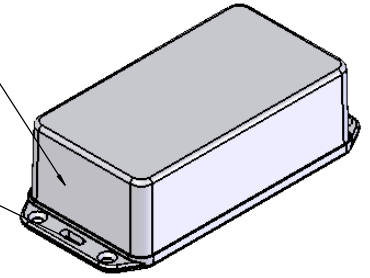
OVERALL ASSEMBLY DIMENSIONS:

EXTERNAL - 143.3 x 67.3 x 40.3

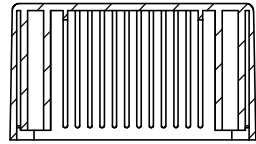
INTERNAL - 116.4 x 61.4 x 36.2

BASE

LID

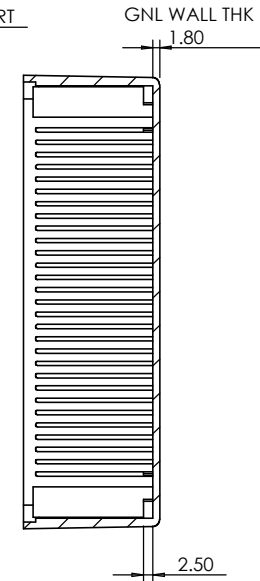


ISO VIEW
1:3

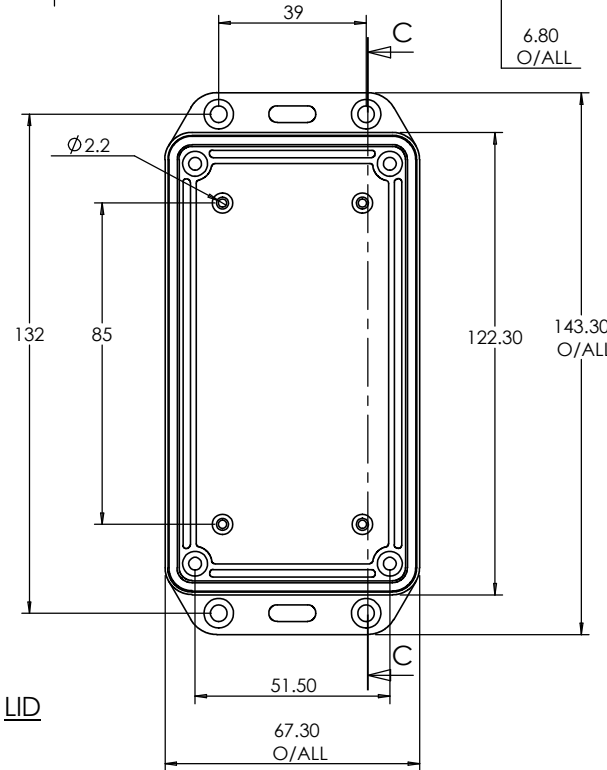


SECTION A-A

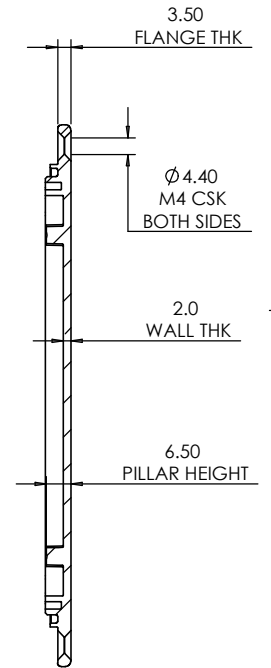
5.50
SIDE WALLS



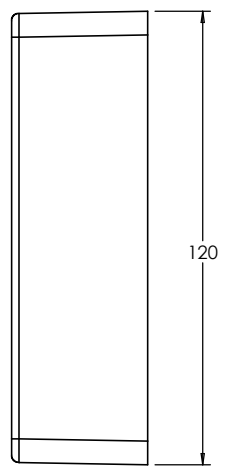
SECTION B-B



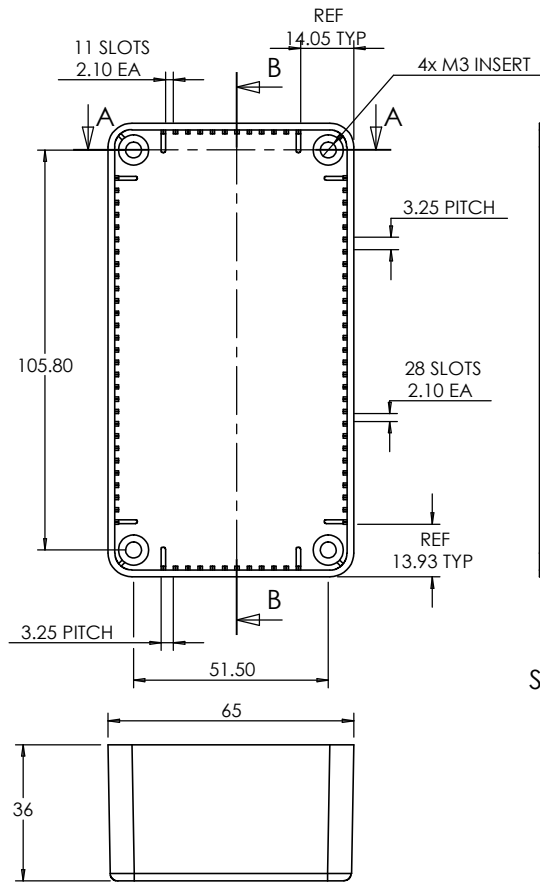
LID



SECTION C-C



BASE



CAMDENBOSS
ELECTRONICS & ENCLOSURES

JAMES CARTER RD, MILDENHALL, SUFFOLK. IP28 7DE
TEL: 01638 716101 FAX: 01638 716554
EMAIL: Sales@CamdenBoss.com
WEB: www.CamdenBoss.com

UNLESS OTHERWISE SPECIFIED:
DIMENSIONS ARE IN MILLIMETERS

FINISH:
SMOOTH

MATERIAL:
ABS

PROJECTION:

DO NOT SCALE DRAWING

REVISION: 0

TITLE: **GNL ASSY DRG FOR IP 2000-SERIES ENCLOSURE**

DWG NO. **2004-IP**

SCALE: 1:2

SHEET 1 OF 1

NAME	SIGNED	DATE
DRAWN: SUBKHANKULOVA	LS	27/02/09
CHKD: -	-	-

MATERIAL:	ABS	DWG NO.:	2004-IP	A4
PROJECTION:		SCALE: 1:2	SHEET 1 OF 1	