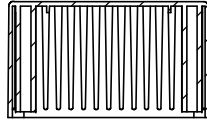


OVERALL ASSEMBLY DIMENSIONS:

EXTERNAL - 150 (171.5) x 80 x 50

INTERNAL - 146.4 x 76.4 x 46.5

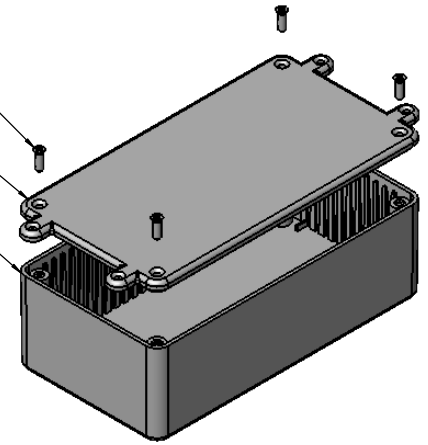


SECTION B-B

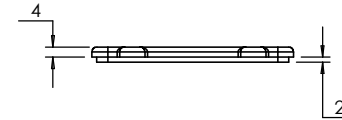
M3 CSK SCREW

LID

BASE



ISO VIEW



A

A

B

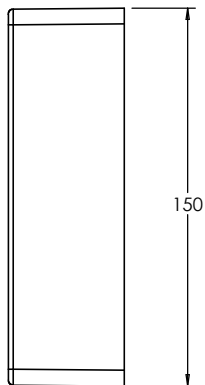
B

C

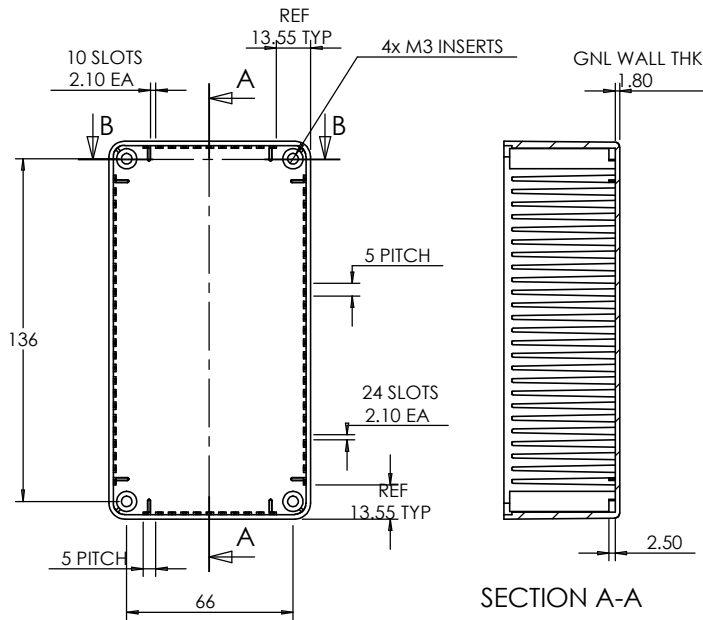
C

D

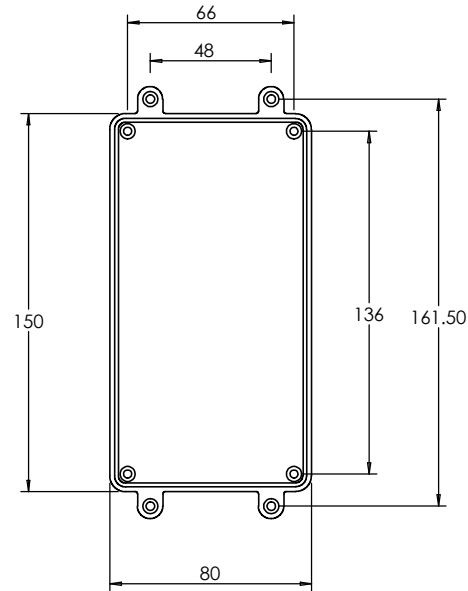
D



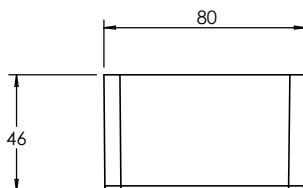
BASE



SECTION A-A



LID



**CAMDENBOSS**  
ELECTRONICS & ENCLOSURES

JAMES CARTER RD, MILDENHALL, SUFFOLK. IP28 7DE  
TEL: 01638 716101 FAX: 01638 716554  
EMAIL: Sales@CamdenBoss.com  
WEB: www.CamdenBoss.com

UNLESS OTHERWISE SPECIFIED:  
DIMENSIONS ARE IN MILLIMETERS

DO NOT SCALE DRAWING

REVISION. 0

FINISH.

SMOOTH

TITLE:

ASSEMBLY DRG FOR 2005,15-LUG

	NAME	SIGNED	DATE
DRAWN	S.HARDINGE	SJH	05/10/05
CHK'D	-	-	-

MATERIAL.	ABS
PROJECTION.	

DWG NO.	2005,15-LUG	A4
SCALE: 1 : 3	SHEET 1 OF 1	