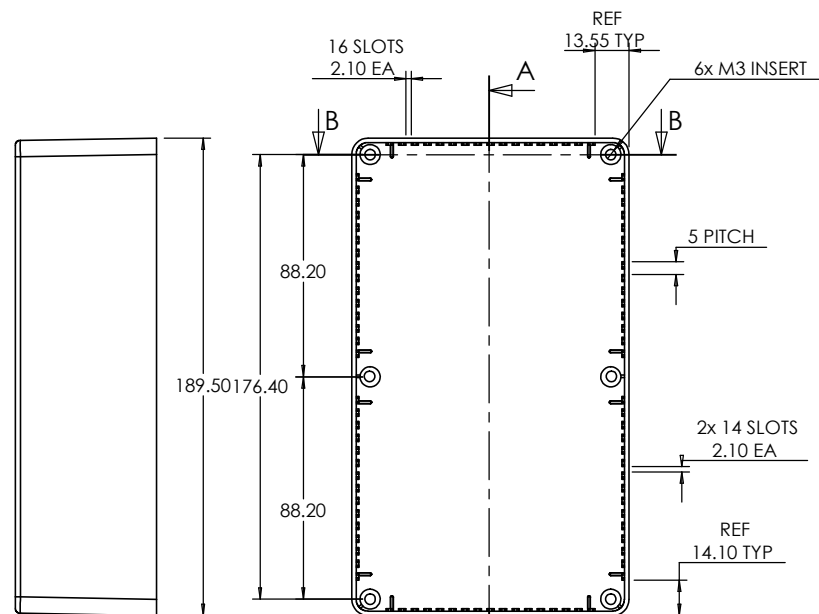
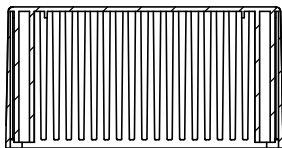


OVERALL ASSEMBLY DIMENSIONS:

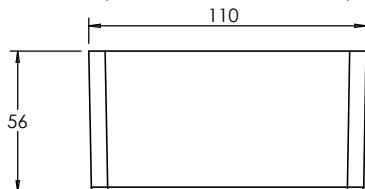
EXTERNAL - 190 x 110 x 60

INTERNAL - 186.4 x 106.4 x 56.4

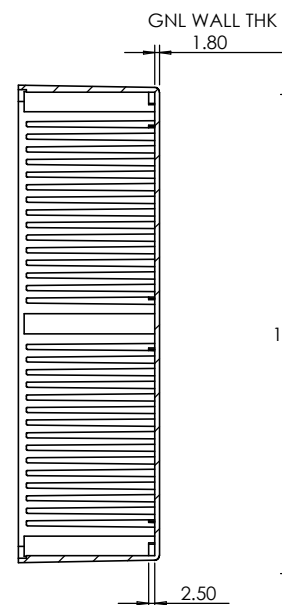
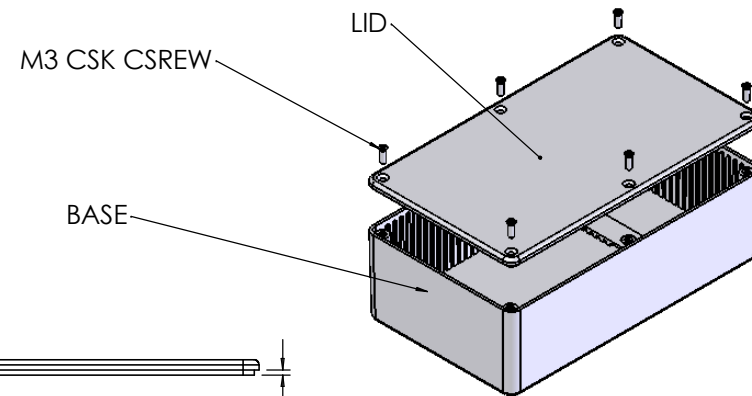
SECTION B-B



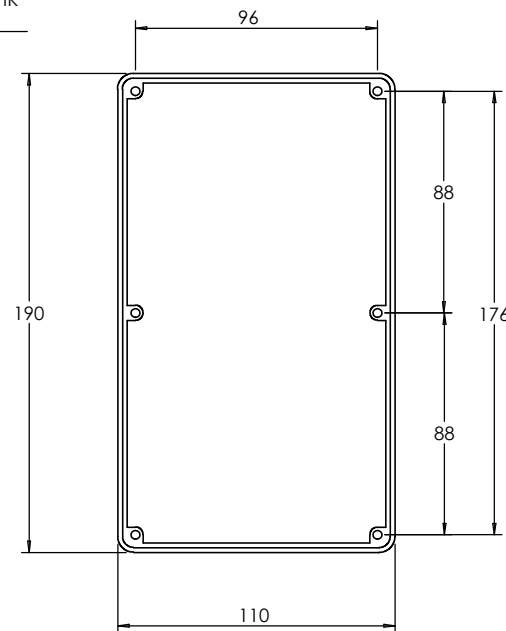
BASE



ISO VIEW
1:4



SECTION A-A



LID



JAMES CARTER RD, MILDENHALL, SUFFOLK. IP28 7DE
TEL: 01638 716101 FAX: 01638 716554
EMAIL: Sales@CamdenBoss.com
WEB: www.CamdenBoss.com

UNLESS OTHERWISE SPECIFIED:
DIMENSIONS ARE IN MILLIMETERS

DO NOT SCALE DRAWING

REVISION. 0

FINISH.
SMOOTH

TITLE:

TITLE

	NAME	SIGNED	DATE
DRAWN	S.HARDINGE	SJH	-
CHK'D	-	-	-

MATERIAL.
ABS

DWG NO.

2006,16

A4

PROJECTION.

SCALE. 1:2

SHEET 1 OF 1