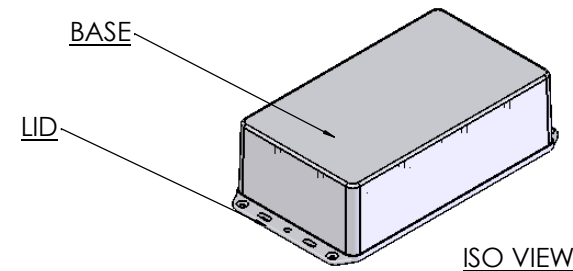


OVERALL ASSEMBLY DIMENSIONS:

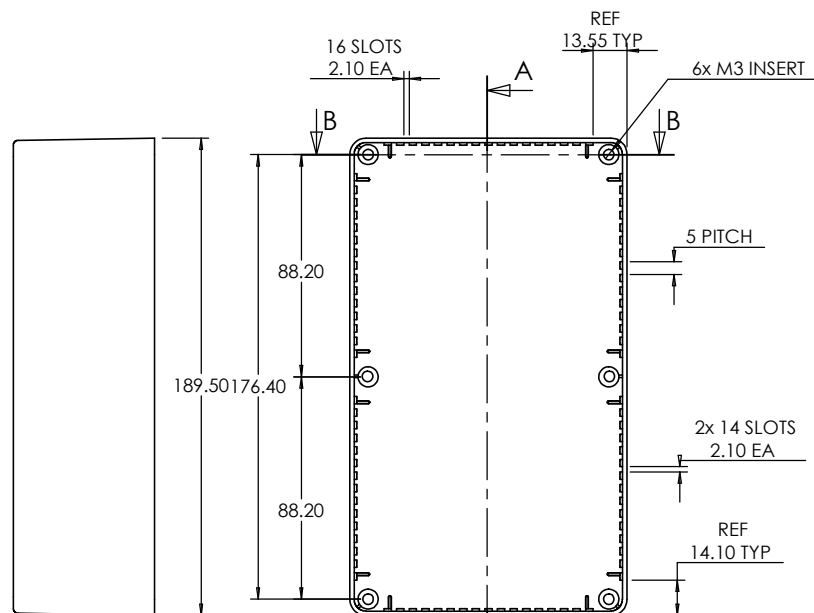
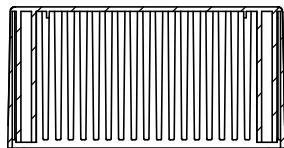
EXTERNAL - 213 x 112.3 x 60.7

INTERNAL - 186.4 x 106.4 x 56.4



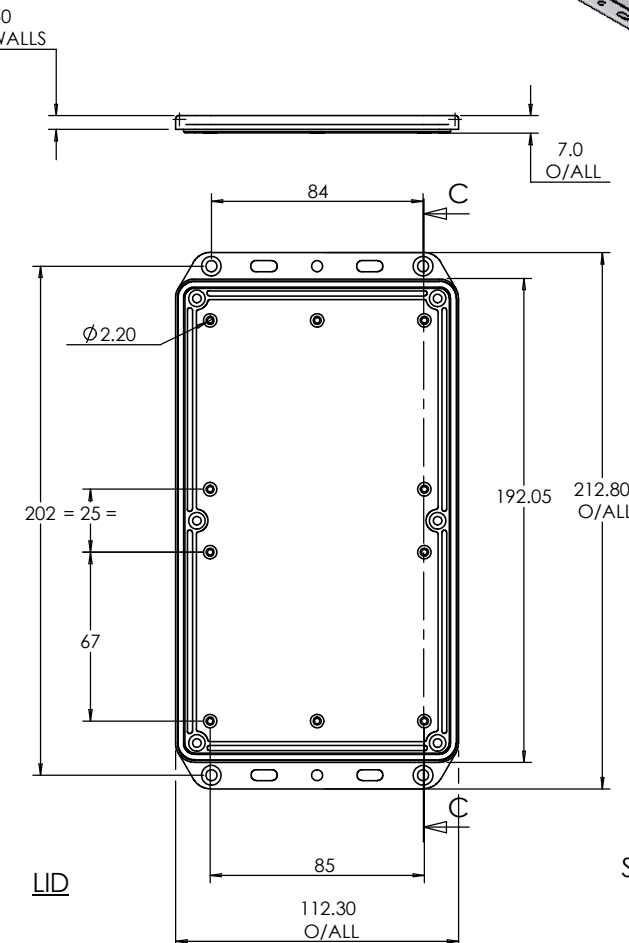
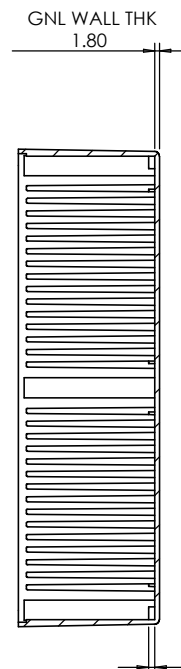
ISO VIEW
1:5

SECTION B-B



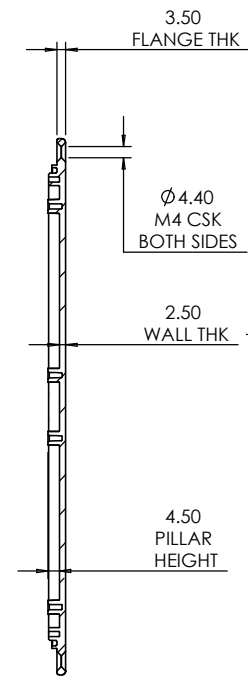
BASE

SECTION A-A
SCALE 1:3



LID

SECTION C-C
SCALE 1:3



JAMES CARTER RD, MILDENHALL, SUFFOLK. IP28 7DE
TEL: 01638 716101 FAX: 01638 716554
EMAIL: Sales@CamdenBoss.com
WEB: www.CamdenBoss.com

UNLESS OTHERWISE SPECIFIED:
DIMENSIONS ARE IN MILLIMETERS

DO NOT SCALE DRAWING

REVISION. 0

FINISH.
SMOOTH

TITLE: GNL ASSEMBLY DRG FOR IP 2000-SERIES ENCLOSURE

	NAME	SIGNED	DATE
DRAWN	SUBKHANKULOVA	LS	27/02/09
CHKD	-	-	-

MATERIAL.
ABS

PROJECTION.

DWG NO.	SCALE	SHEET
2006-IP	1:2	1 OF 1

A4