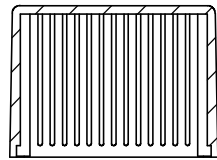


OVERALL ASSEMBLY DIMENSIONS:

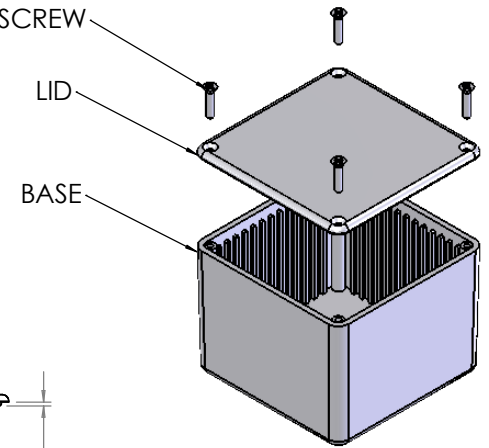
EXTERNAL - 55 x 55 x 42

INTERNAL - 51 x 51 x 37

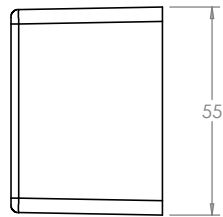


SECTION B-B

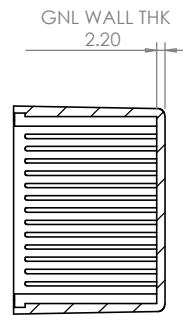
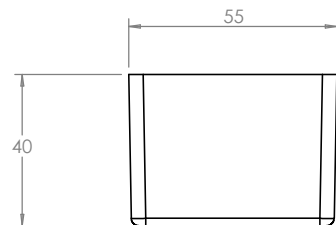
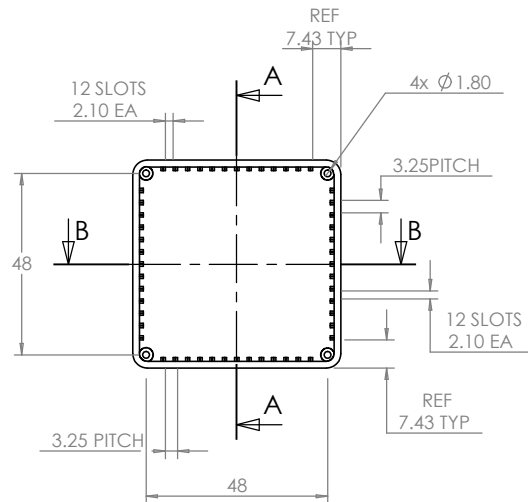
CSK SELF TAPPING SCREW



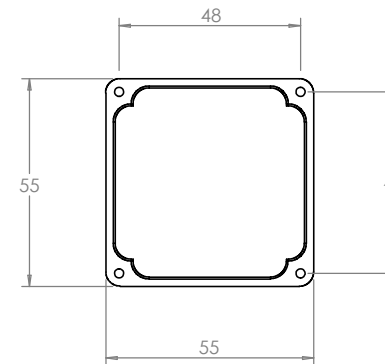
ISO VIEW



BASE



SECTION A-A



LID

CAMDENBOSS
ELECTRONICS & ENCLOSURES

JAMES CARTER RD, MILDENHALL, SUFFOLK. IP28 7DE
TEL: 01638 716101 FAX: 01638 716554
EMAIL: Sales@CamdenBoss.com
WEB: www.CamdenBoss.com

UNLESS OTHERWISE SPECIFIED:
DIMENSIONS ARE IN MILLIMETERS

DO NOT SCALE DRAWING

REVISION. 0

FINISH.
SMOOTH

TITLE:
ASSEMBLY DRG FOR 2008,18

	NAME	SIGNED	DATE
DRAWN	S.HARDINGE	SJH	07/10/05

MATERIAL.
ABS

DWG NO.
2008,18

A4

CHK'D - - -
PROJECTION.

SCALE. 1 : 2

SHEET 1 OF 1