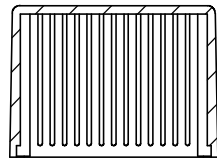
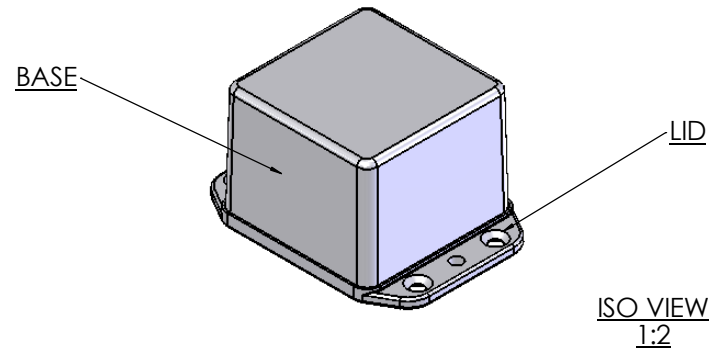


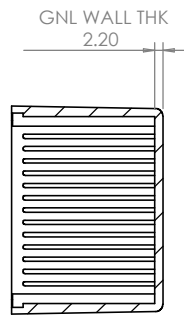
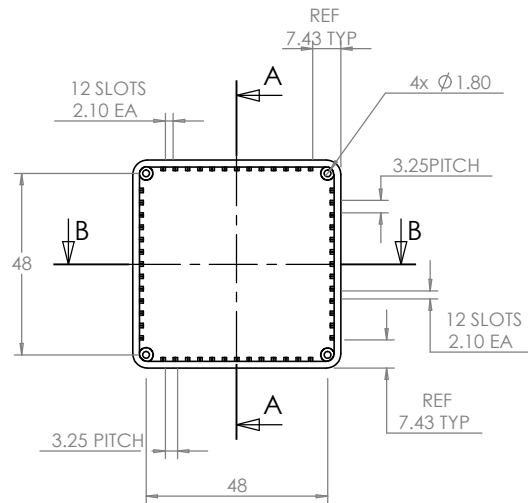
OVERALL ASSEMBLY DIMENSIONS:

EXTERNAL - 78.3 x 57.3 x 43

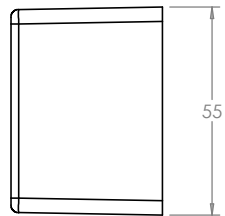
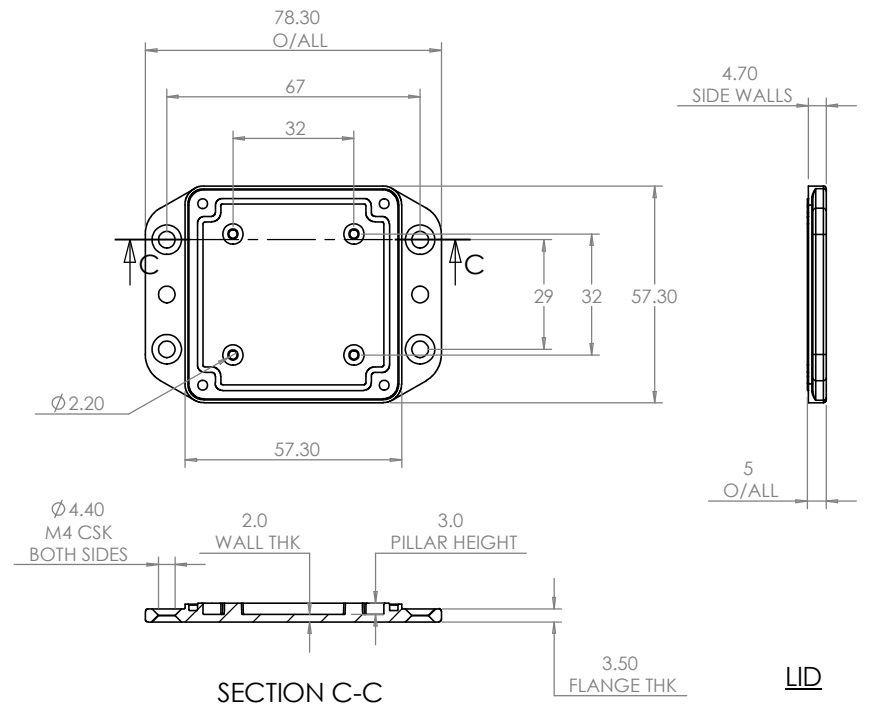
INTERNAL - 51 x 51 x 37



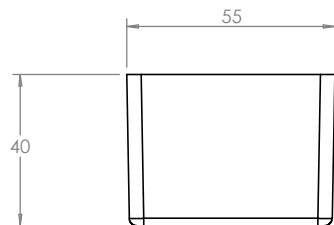
SECTION B-B



SECTION A-A



BASE



JAMES CARTER RD, MILDENHALL, SUFFOLK, IP28 7DE  
TEL: 01638 716101 FAX: 01638 716554  
EMAIL: Sales@CamdenBoss.com  
WEB: www.CamdenBoss.com

UNLESS OTHERWISE SPECIFIED:  
DIMENSIONS ARE IN MILLIMETERS

FINISH:  
SMOOTH

MATERIAL:  
ABS

PROJECTION:

DO NOT SCALE DRAWING

REVISION: 0

TITLE:  
GNL ASSEMBLY DRG FOR IP  
2000-SERIES ENCLOSURE

DWG NO.

2008-IP

A4

SCALE: 1:2

SHEET 1 OF 1

DRAWN	NAME	SIGNED	DATE
CHK'D	SUBKHANKULOVA	LS	27/02/09