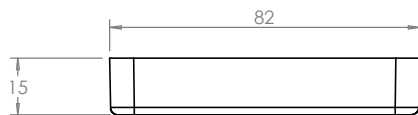
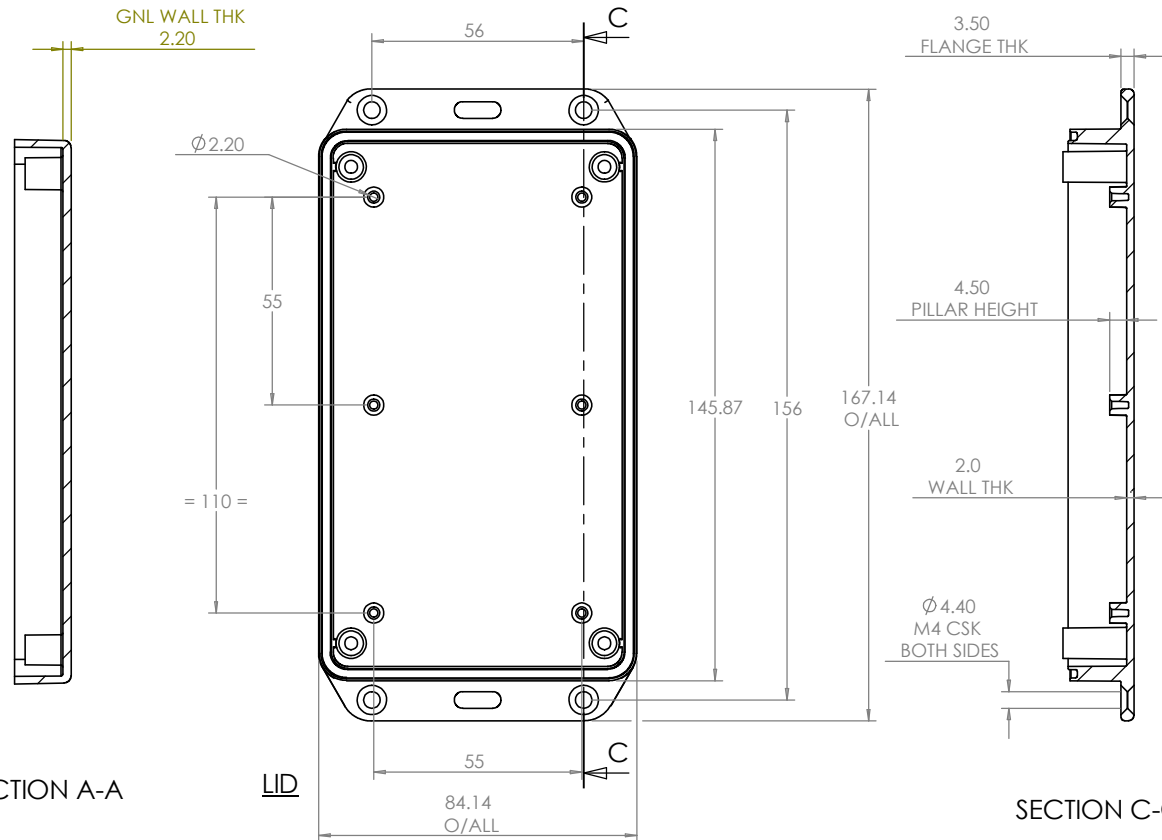
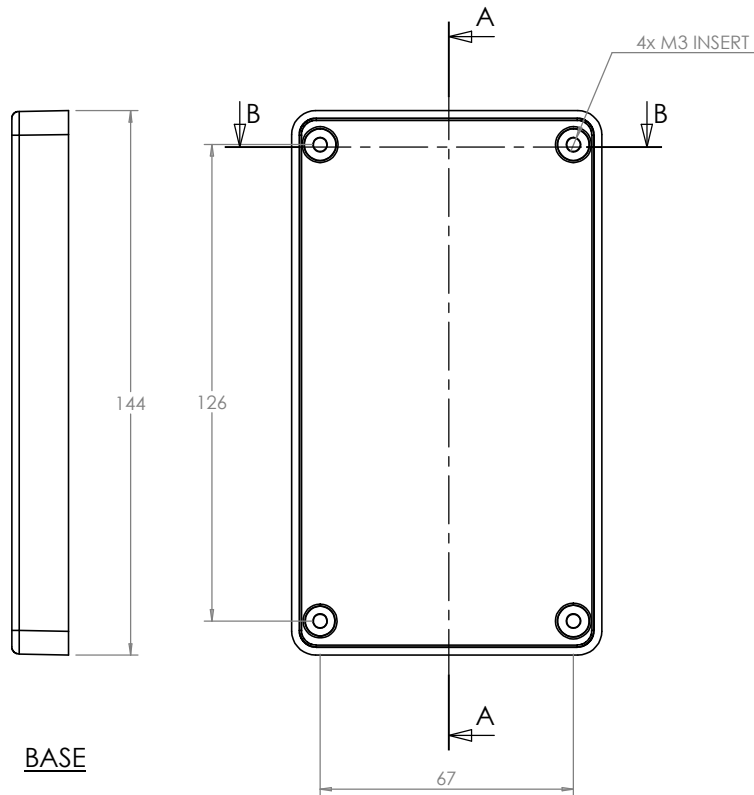
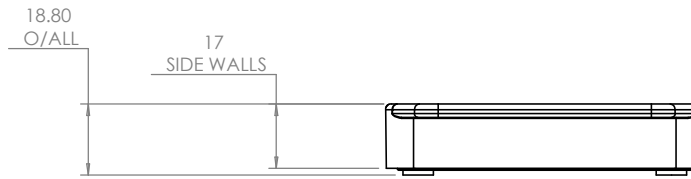
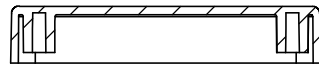
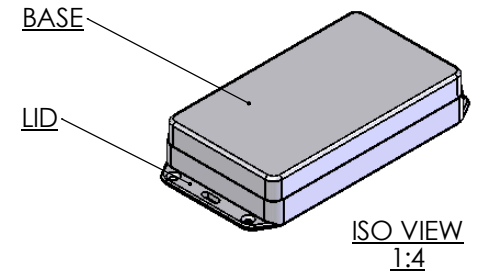


OVERALL ASSEMBLY DIMENSIONS:

EXTERNAL - 167 x 84 x 31

INTERNAL - 139.6 x 77.6 x 25.6



<p>JAMES CARTER RD, MILDENHALL, SUFFOLK. IP28 7DE TEL: 01638 716101 FAX: 01638 716554 EMAIL: Sales@CamdenBoss.com WEB: www.CamdenBoss.com</p>		UNLESS OTHERWISE SPECIFIED: DIMENSIONS ARE IN MILLIMETERS		DO NOT SCALE DRAWING		REVISION. 0					
		FINISH: SMOOTH		TITLE: GNL ASSEMBLY DRG FOR IP 2000-SERIES ENCLOSURE							
DRAWN SUBKHANKULOVA		SIGNED LS		DATE 02/03/09		MATERIAL: ABS		DWG NO. 2030-IP		A4	
CHK'D -		-		-		PROJECTION. 		SCALE: 1 : 2		SHEET 1 OF 1	