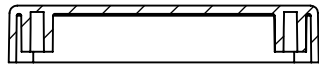


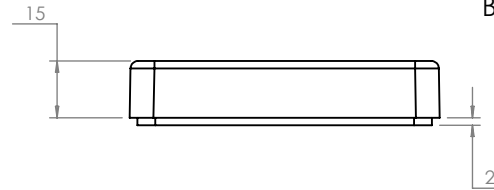
OVERALL ASSEMBLY DIMENSIONS:

EXTERNAL - 144 x 82 x 30

INTERNAL - 137.6 x 75.6 x 25.6



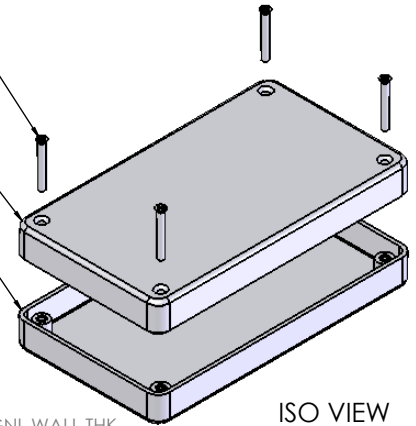
SECTION B-B



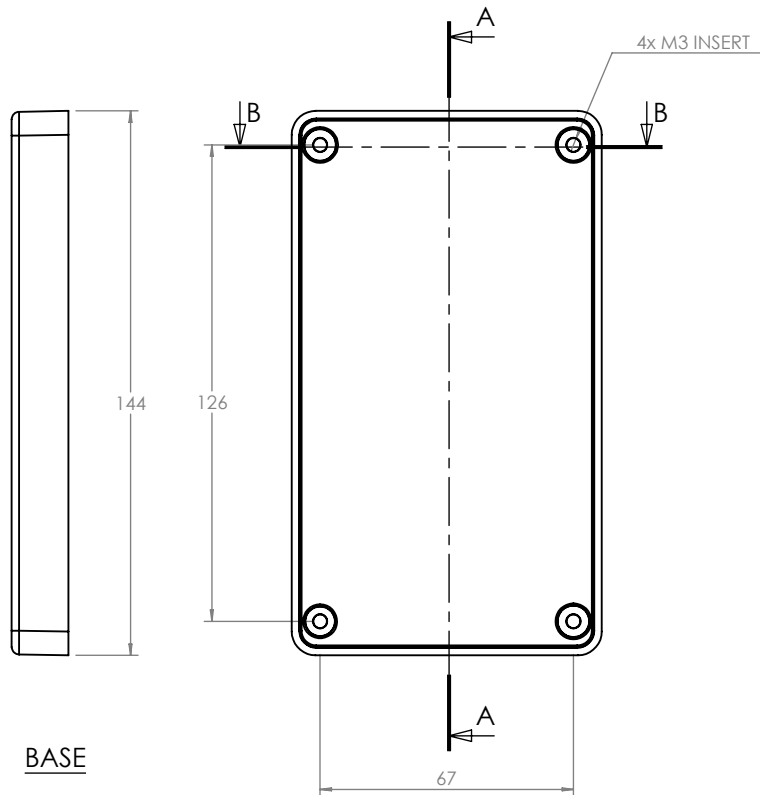
M3 CSK SCREW

LID

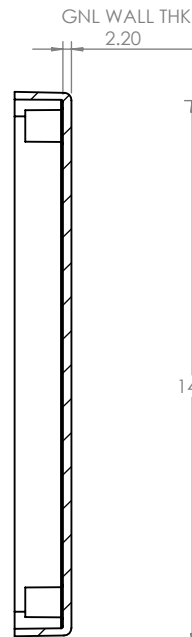
BASE



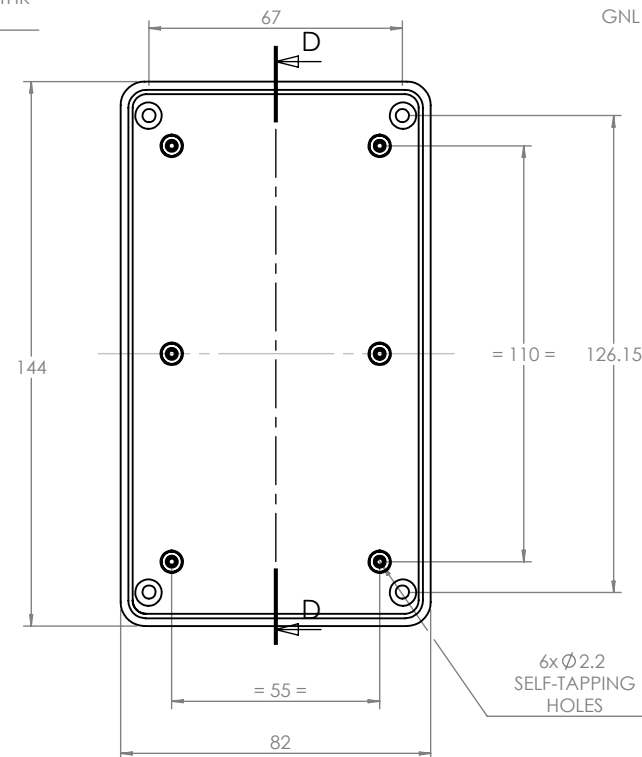
ISO VIEW  
1:3



BASE



SECTION A-A

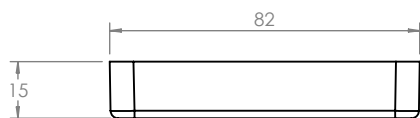


GNL WALL THK  
3.2

4.50 TYP  
PILLAR  
HEIGHT

SECTION D-D

LID



**CAMDENBOSS**  
ELECTRONICS & ENCLOSURES

JAMES CARTER RD, MILDENHALL, SUFFOLK, IP28 7DE  
TEL: 01638 716101 FAX: 01638 716554  
EMAIL: SALES@CAMDENBOSS.COM  
WEB: WWW.CAMDENBOSS.COM

UNLESS OTHERWISE SPECIFIED:  
DIMENSIONS ARE IN MILLIMETERS

DO NOT SCALE DRAWING

REVISION. A 06/04/10

FINISH.

SMOOTH

TITLE:

ASSEMBLY DRG FOR 2030/30

	NAME	SIGNED	DATE	MATERIAL.
DRAWN	S.HARDINGE	SJH	07/10/05	ABS
CHKD	-	-	-	PROJECTION.

PROJECTION.

DWG NO.

2030,30

A4

SCALE: 1 : 2

SHEET 1 OF 1