

OVERALL ASSEMBLY DIMENSIONS:

EXTRENAL - 90 x 55 x 40

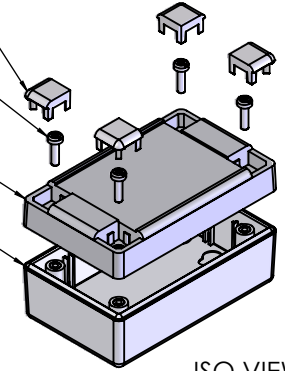
INTERNAL - 85 x 50 x 33.5

CORNER/SCREW CAP

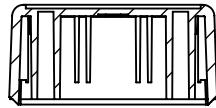
M3 SCREW

LID

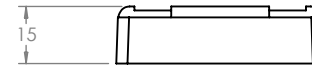
BASE



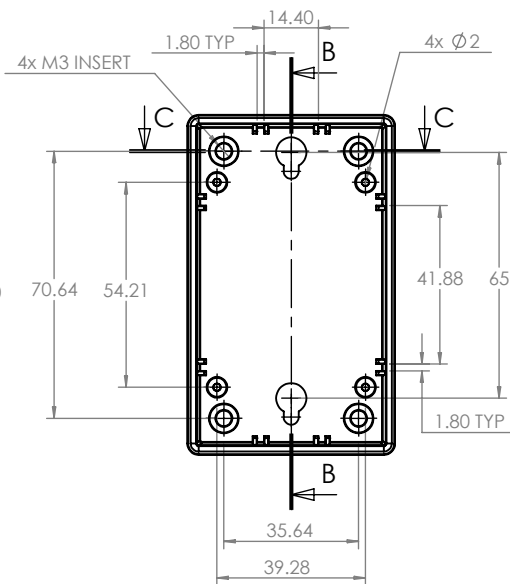
ISO VIEW
1:3



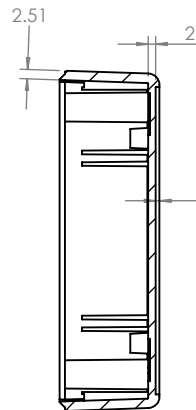
SECTION C-C



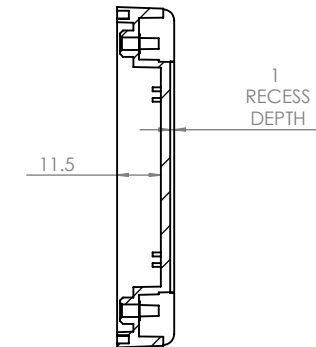
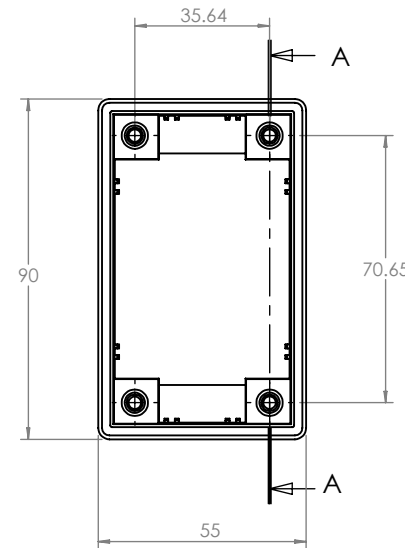
15



BASE

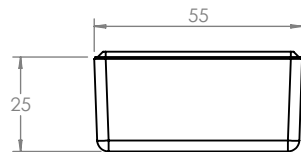


SECTION B-B



SECTION A-A

LID



CAMDENBOSS
ELECTRONICS & ENCLOSURES

JAMES CARTER RD, MILDENHALL, SUFFOLK. IP28 7DE
TEL: 01638 716101 FAX: 01638 716554
EMAIL: Sales@CamdenBoss.com
WEB: www.CamdenBoss.com

UNLESS OTHERWISE SPECIFIED:
DIMENSIONS ARE IN MILLIMETERS

GENERAL TOLERANCES +/- 0.2

FINISH:
LIGHT SPARK

MATERIAL:
UL- 94 HB ABS

PROJECTION.

DO NOT SCALE DRAWING

REVISION.

TITLE: ASSEMBLY DRG FOR RECESS DESIGNER CASE SIZE 2 GREY

DWG NO. CRDCG0002

A4

	NAME	SIGNED	DATE
DRAWN	IAN PAGANO	I.P.	24/09/13
CHKD	-	-	-

SCALE: 1:2

SHEET 1 OF 1