

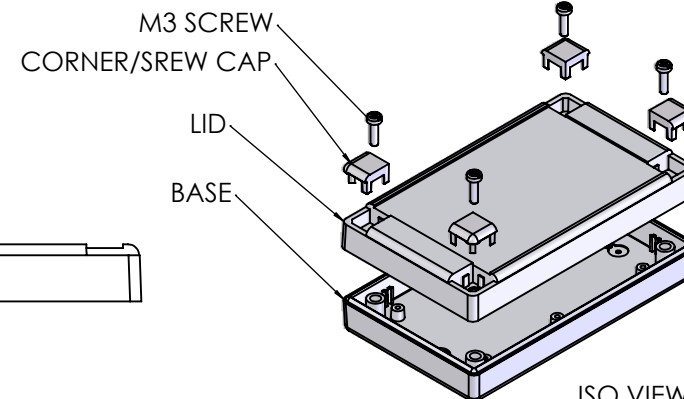
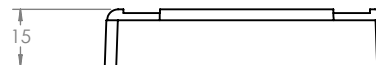
OVERALL ASSEMBLY DIMENSIONS:

EXTERNAL - 127 x 75 x 30

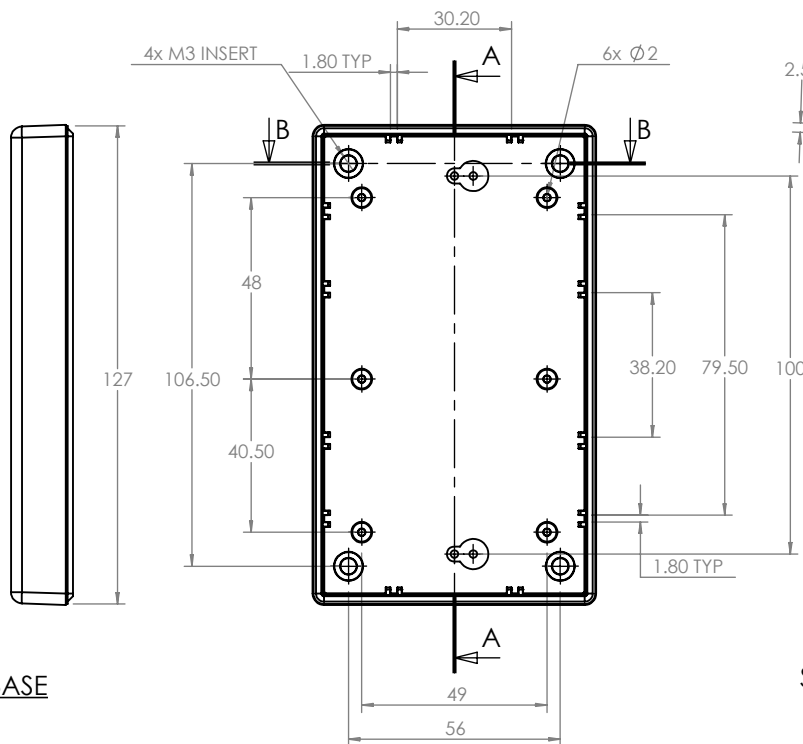
INTERNAL - 122 x 70 x 23.5



SECTION B-B

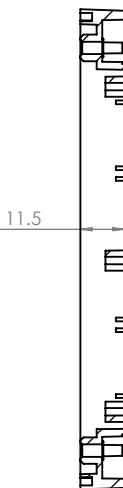
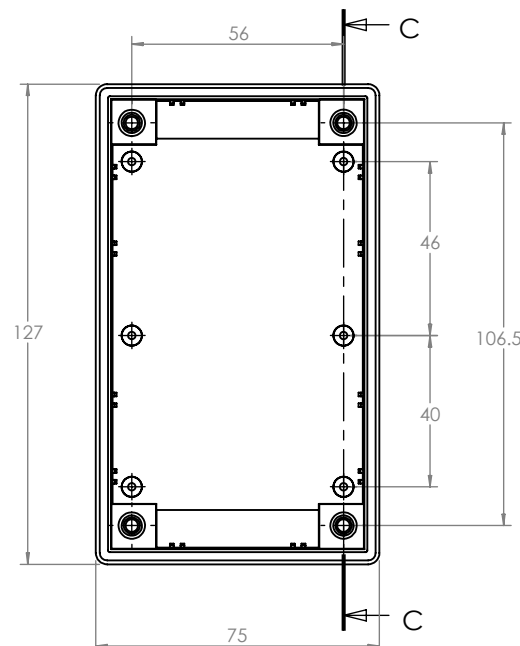


ISO VIEW
1:3



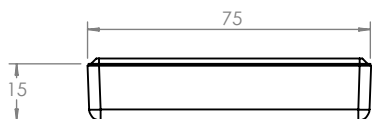
BASE

SECTION A-A



SECTION C-C

LID



JAMES CARTER RD, MILDENHALL, SUFFOLK. IP28 7DE
TEL: 01638 716101 FAX: 01638 716554
EMAIL: Sales@CamdenBoss.com
WEB: www.CamdenBoss.com

UNLESS OTHERWISE SPECIFIED:
DIMENSIONS ARE IN MILLIMETERS

FINISH:
LIGHT SPARK

MATERIAL:
ABS

PROJECTION.

DO NOT SCALE DRAWING

REVISION. 0

TITLE:
ASSEMBLY DRG FOR RECESS
DESIGNER CASE SIZE 4 GREY

DWG NO.

CRDCG0004

A4

	NAME	SIGNED	DATE
DRAWN	IAN PAGANO	I.P.	20/01/14
CHKD	-	-	-

SCALE: 1 : 2

SHEET 1 OF 1