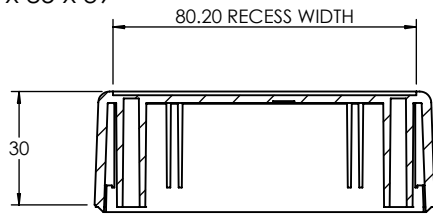


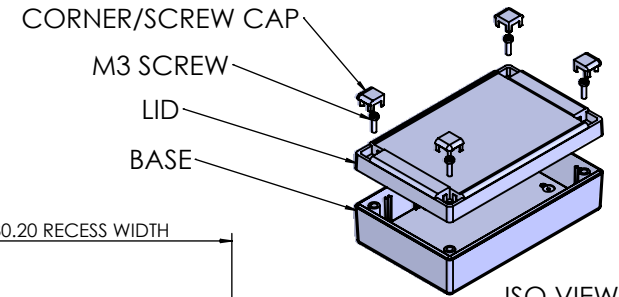
OVERALL ASSEMBLY DIMENSIONS:

EXTERNAL - 145 x 90 x 45.5

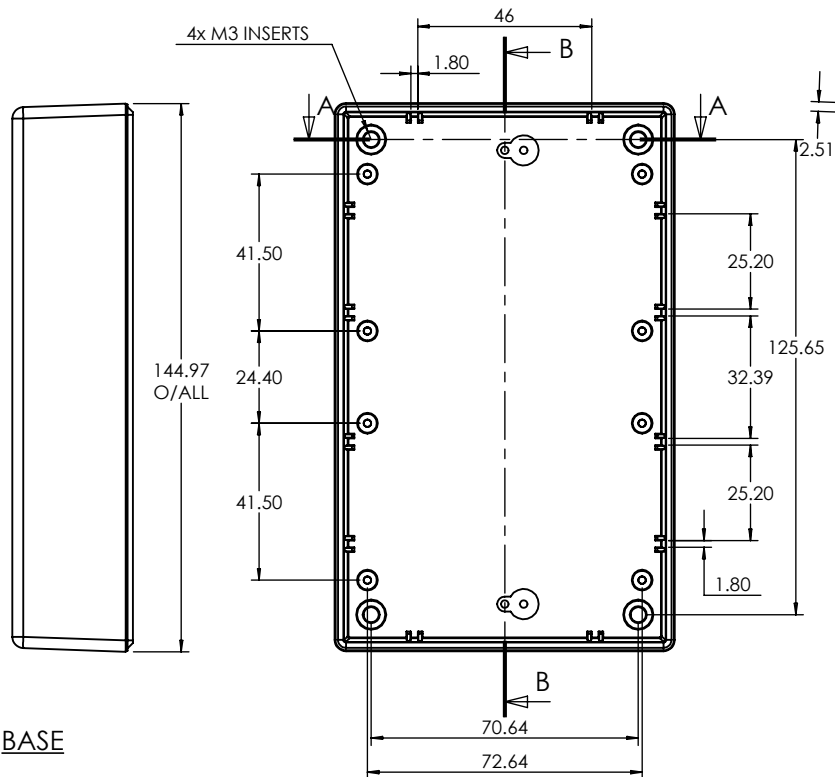
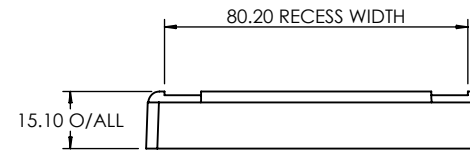
INTERNALS - 140 x 85 x 39



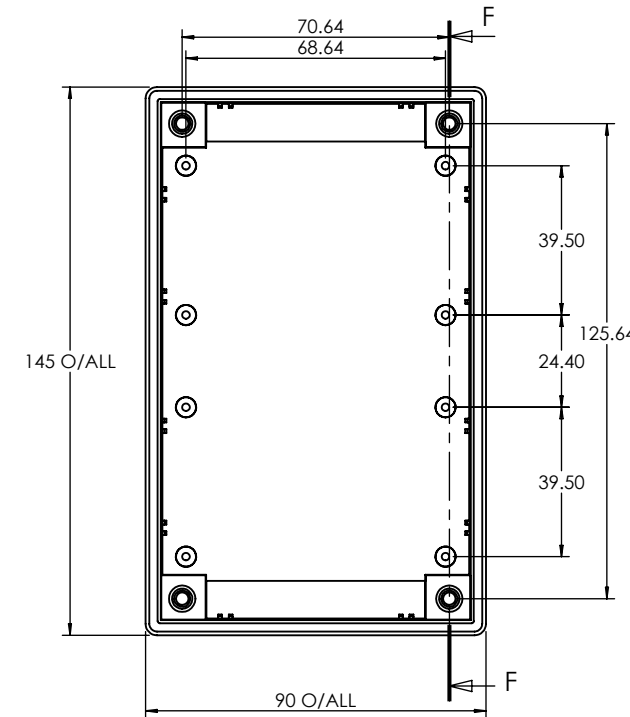
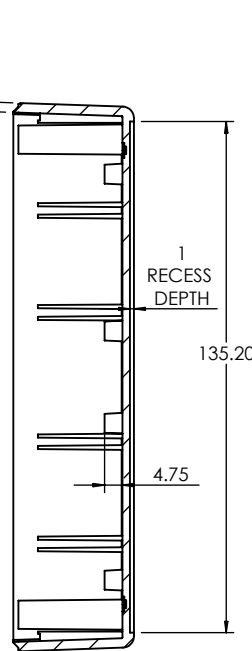
SECTION A-A
SCALE 1 : 2



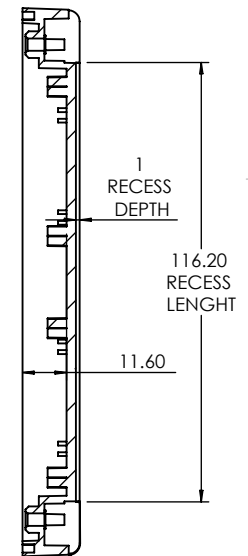
ISO VIEW
1:5



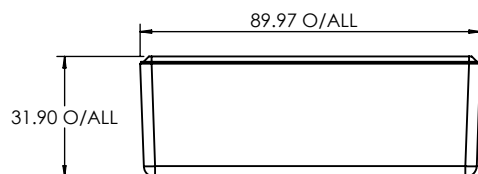
SECTION B-B
SCALE 1 : 2



SECTION F-F
SCALE 1 : 2



LID



CAMDENBOSS
ELECTRONICS & ENCLOSURES
JAMES CARTER RD, MILDENHALL, SUFFOLK. IP28 7DE
TEL: 01638 716101 FAX: 01638 716554
EMAIL: Sales@CamdenBoss.com
WEB: www.CamdenBoss.com

UNLESS OTHERWISE SPECIFIED:
DIMENSIONS ARE IN MILLIMETERS
GENERAL TOLERANCES +/- 0.2
FINISH: LIGHT SPARK
MATERIAL: ABS UL - 94 HB

DO NOT SCALE DRAWING
REVISION: 0
TITLE: ASSEMBLY DRG FOR RECESS DESIGNER CASE SIZE 6 GREY
DWG NO. CRDCG0006

DRAWN	NAME	SIGNED	DATE
IAN PAGANO	I.P.	20/01/14	
CHKD	-	-	-

PROJECTION: SCALE: 1:2
SHEET 1 OF 1

A4