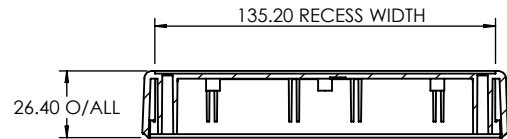


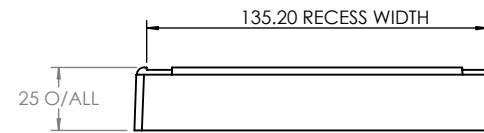
OVERALL ASSEMBLY DIMENSIONS:

EXTERNAL - 220 x 145 x 50

INTERNAL - 215 x 140 x 43.5



SECTION B-B

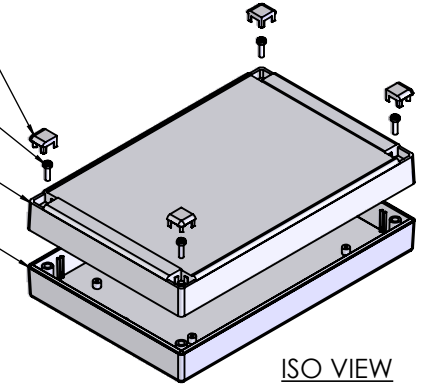


CORNER/SCREW CAP

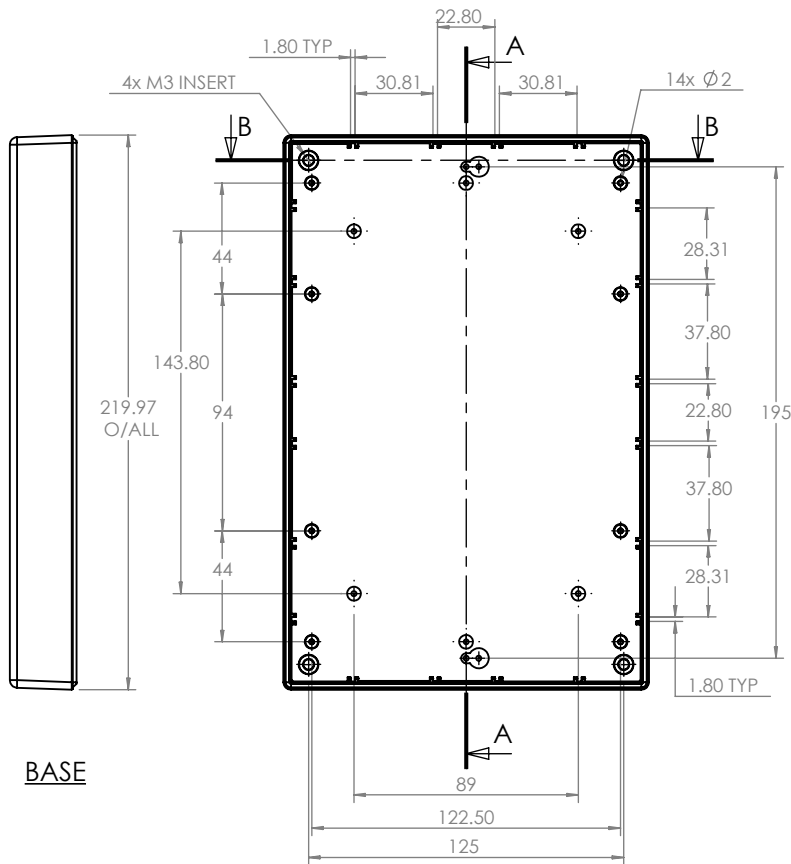
M3 SCREW

LID

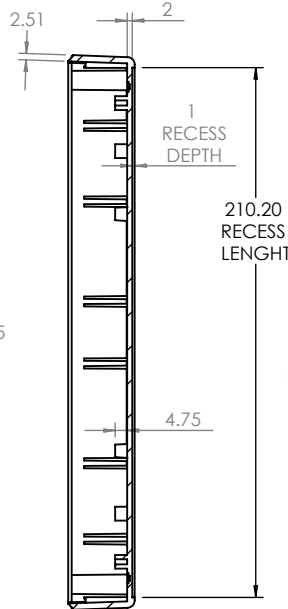
BASE



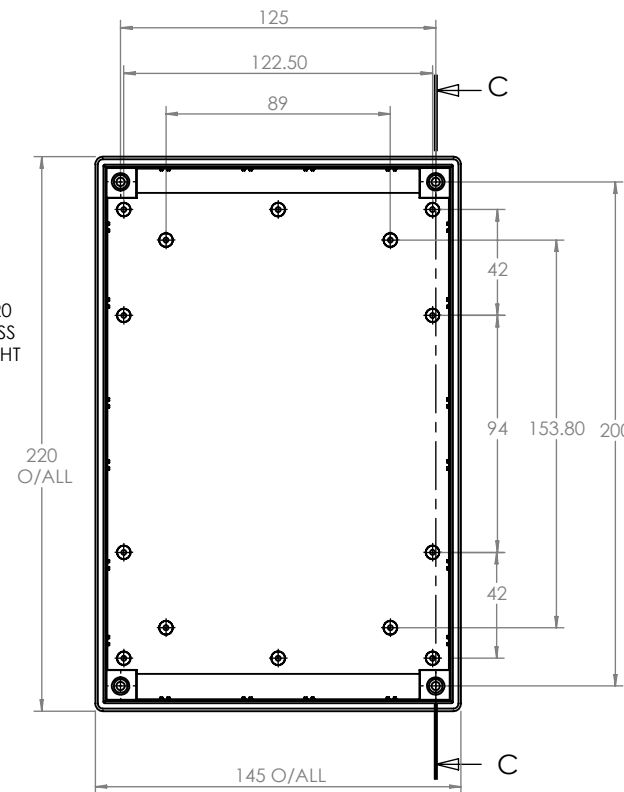
ISO VIEW  
1:5



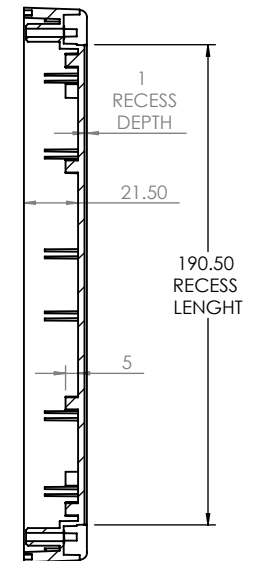
BASE



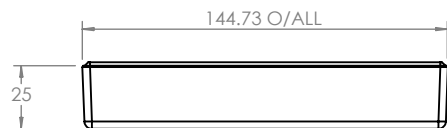
SECTION A-A



SECTION C-C



LID



		UNLESS OTHERWISE SPECIFIED: DIMENSIONS ARE IN MILLIMETERS		DO NOT SCALE DRAWING	REVISION. ○
		GENERAL TOLERANCES +/- 0.2		TITLE: ASSEMBLY DRG FOR RECESS DESIGNER CASE SIZE 8 GREY	
FINISH: LIGHT SPARK		MATERIAL: UL - 94 HB ABS		DWG NO. CRDCG0008	A4
DRAWN IAN PAGANO	SIGNED I.P.	DATE 24/09/13	PROJECTION.	SCALE: 1:3	SHEET 1 OF 1