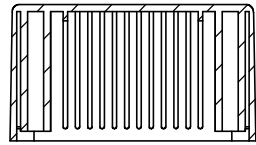


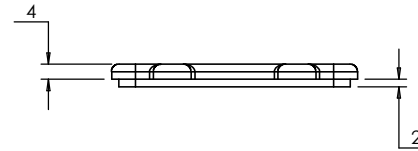
OVERALL ASSEMBLY DIMENSIONS:

EXTERNAL - 120 (139) x 65 x 40

INTERNAL - 116.4 x 61.4 x 36.2



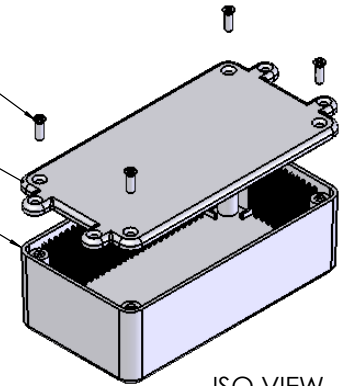
SECTION A-A



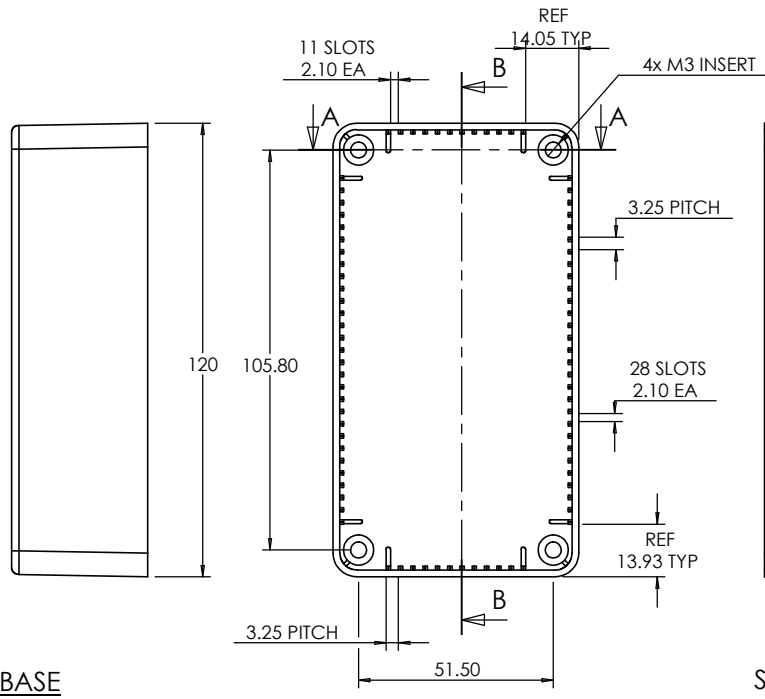
M3 CSK SCREW

LID

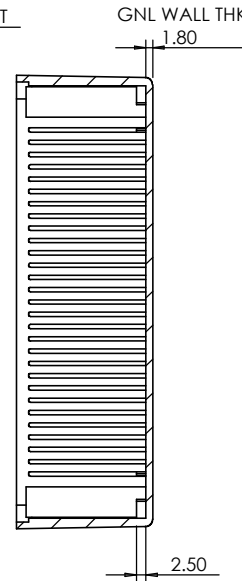
BASE



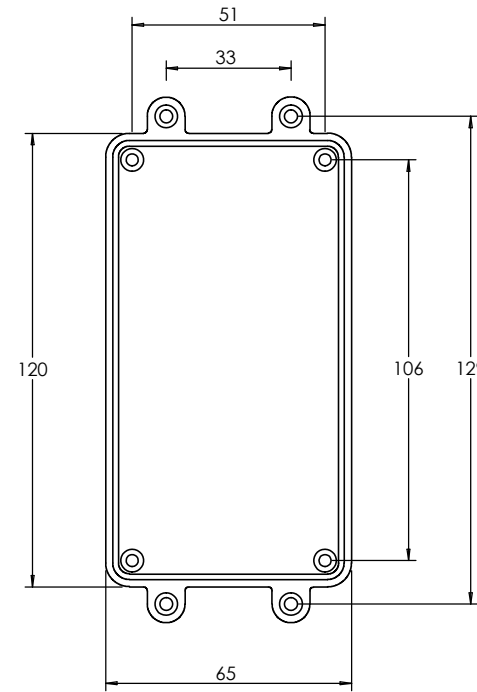
ISO VIEW
1:3



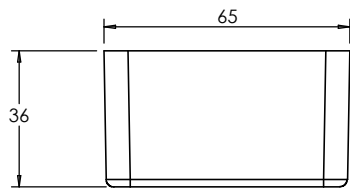
BASE



SECTION B-B



LID



JAMES CARTER RD, MILDENHALL, SUFFOLK. IP28 7DE
TEL: 01638 716101 FAX: 01638 716554
EMAIL: Sales@CamdenBoss.com
WEB: www.CamdenBoss.com

UNLESS OTHERWISE SPECIFIED:
DIMENSIONS ARE IN MILLIMETERS

DO NOT SCALE DRAWING

REVISION. 0

FINISH.
SMOOTH

TITLE:
ASSEMBLY DRG FOR 2004/14-LUG

	NAME	SIGNED	DATE
DRAWN	S.HARDINGE	SJH	06/10/05
CHKD	-	-	-

MATERIAL.
ABS
PROJECTION.

DWG NO.	2004,14-LUG	A4
SCALE. 1:2	SHEET 1 OF 1	