

1 2 3 4 5 6

A

B

C

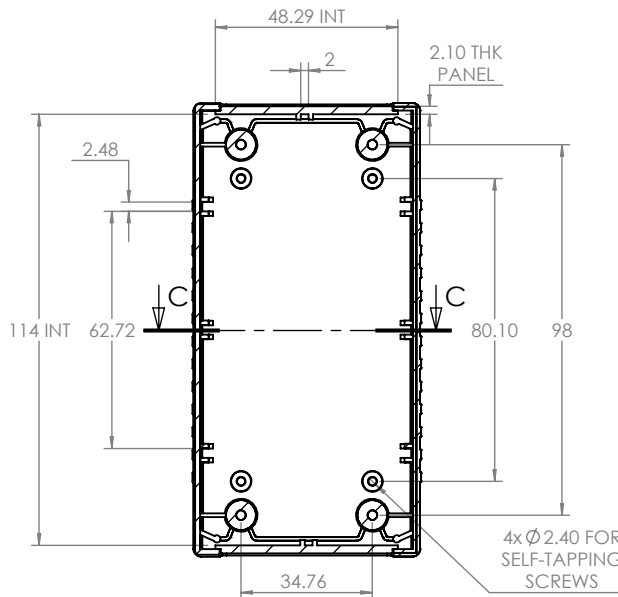
D

A

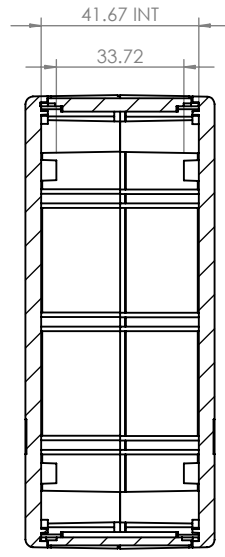
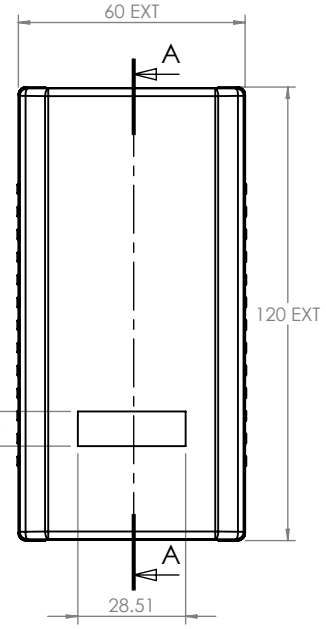
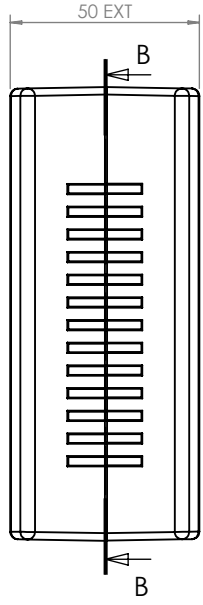
B

C

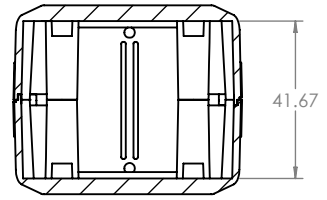
D



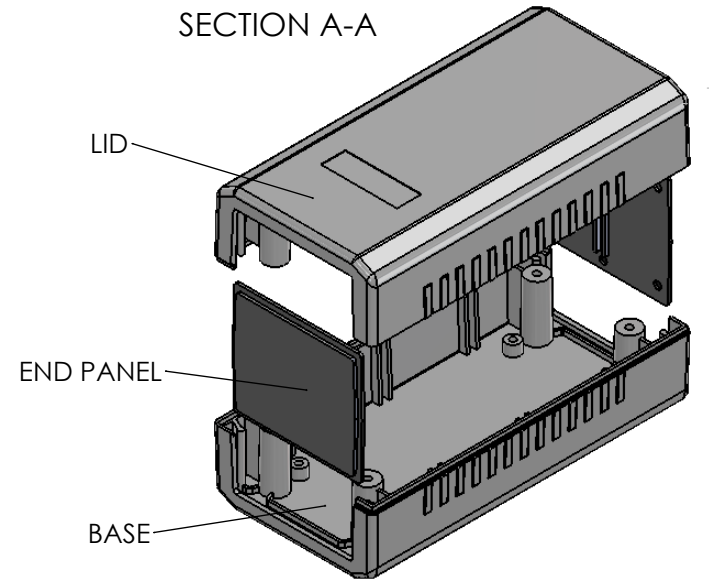
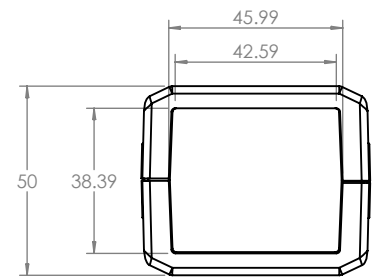
SECTION B-B



SECTION A-A



SECTION C-C



<p>JAMES CARTER RD, MILDENHALL, SUFFOLK. IP28 7DE TEL: 01638 716101 FAX: 01638 716554 EMAIL: Sales@CamdenBoss.com WEB: www.CamdenBoss.com</p>				UNLESS OTHERWISE SPECIFIED: DIMENSIONS ARE IN MILLIMETERS		DO NOT SCALE DRAWING		REVISION. 0	
				GENERAL TOLERANCES +/- 0.2		TITLE: GENERAL ASSY DRAWING FOR 3400 SERIES			
				FINISH. TEXTURED		DWG NO. 3400-40		A4	
DRAWN JAMIE JACOBS				SIGNED JNJ		DATE 09/11/12		MATERIAL. ABS	
CHKD -								PROJECTION.	
						SCALE: 1 : 2		SHEET 1 OF 1	

1 2 3