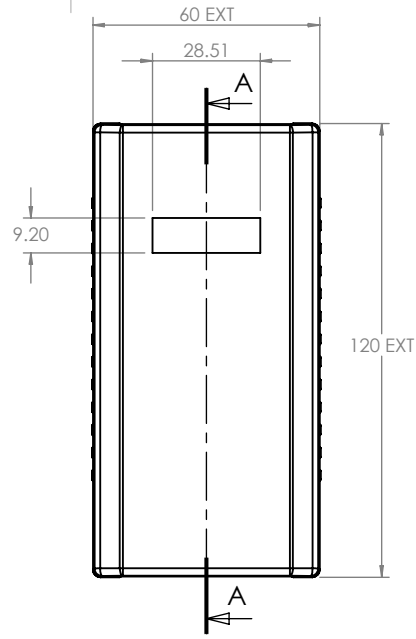
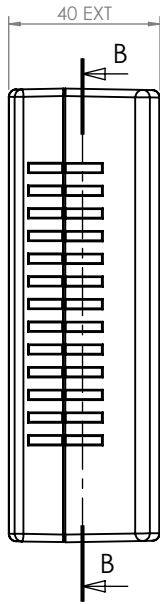
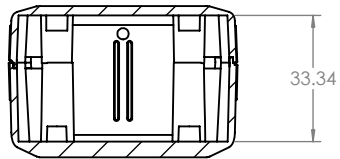
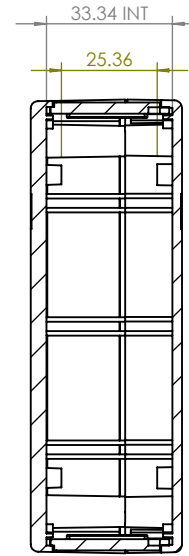


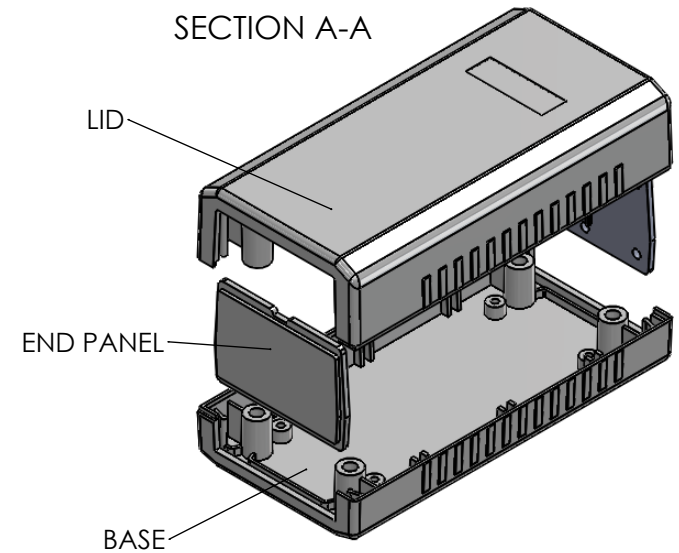
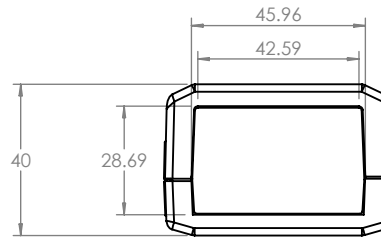
SECTION B-B



SECTION A-A



SECTION C-C



**CAMDENBOSS**  
ELECTRONICS & ENCLOSURES  
JAMES CARTER RD, MILDENHALL, SUFFOLK. IP28 7DE  
TEL: 01638 716101 FAX: 01638 716554  
EMAIL: Sales@CamdenBoss.com  
WEB: www.CamdenBoss.com

UNLESS OTHERWISE SPECIFIED:  
DIMENSIONS ARE IN MILLIMETERS

DO NOT SCALE DRAWING

REVISION. 0

GENERAL TOLERANCES +/- 0.2

TITLE: GENERAL ASSY DRAWING FOR  
3400 SERIES

FINISH. TEXTURED

DWG NO.

3400-38

A4

	NAME	SIGNED	DATE
DRAWN	JAMIE JACOBS	JNJ	09/11/12
CHKD	-	-	-

MATERIAL. ABS

SCALE: 1 : 2

SHEET 1 OF 1

PROJECTION.