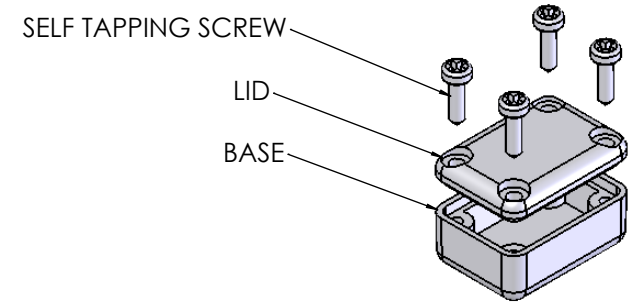


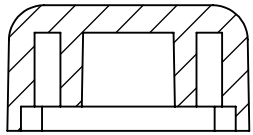
OVERALL ASSEMBLY DIMENSIONS:

EXTERNAL - 22.5 x 16 x 11.3

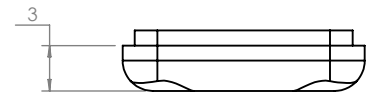
INTERNAL - 19 x 12.5 x 7.3



ISO VIEW  
1:1



SECTION B-B



A

A

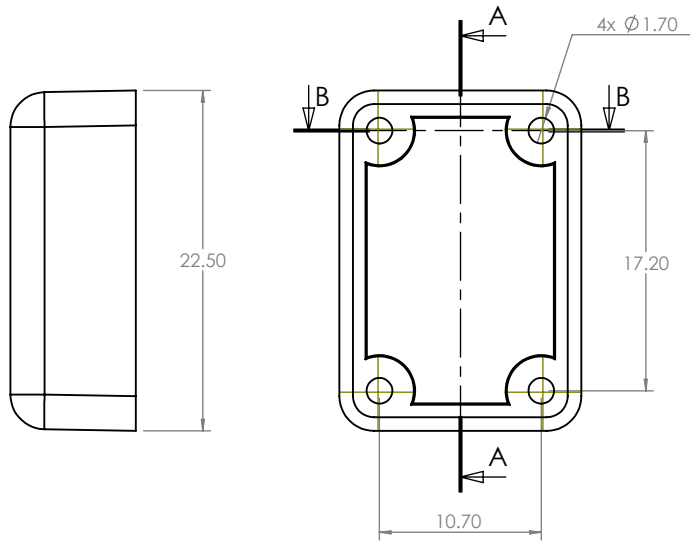
B

B

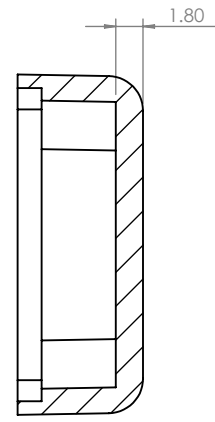
C

C

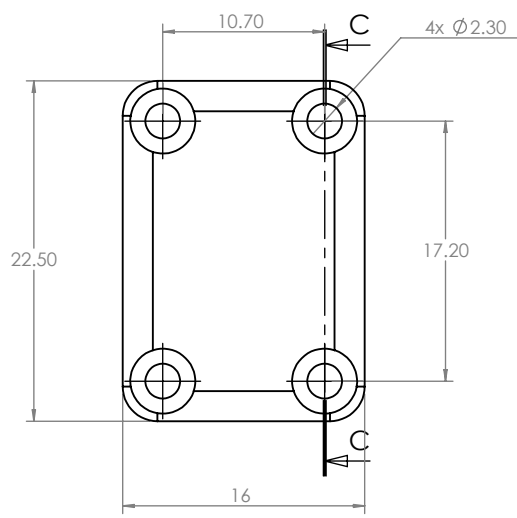
D



BASE

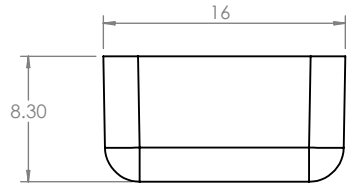


SECTION A-A



SECTION C-C

LID



<p>UNLESS OTHERWISE SPECIFIED: DIMENSIONS ARE IN MILLIMETERS</p>				DO NOT SCALE DRAWING		REVISION. 0	
				TITLE: ASSEMBLY DRG FOR RX2002			
JAMES CARTER RD, MILDENHALL, SUFFOLK, IP28 7DE TEL: 01 638 716101 FAX: 01 638 716554 EMAIL: SALES@CAMDENBOSS.COM WEB: www.CAMDENBOSS.COM				FINISH: LIGHT SPARK		DWG NO. RX2002	
DRAWN S.HARDINGE		SIGNED SJH	DATE 30/11/05	MATERIAL. ABS		SCALE: 2 : 1	
CHKD -		-	-	PROJECTION.		SHEET 1 OF 1	

1

2

3

A4