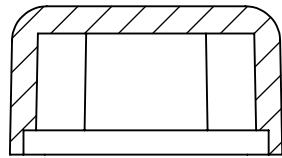


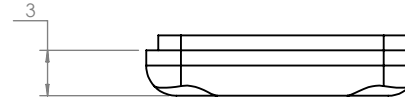
OVERALL ASSEMBLY DIMENSIONS:

EXTERNAL - 25.5 x 18 x 12.8

INTERNAL - 22 x 14.5 x 8.8



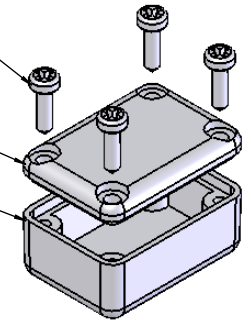
SECTION B-B



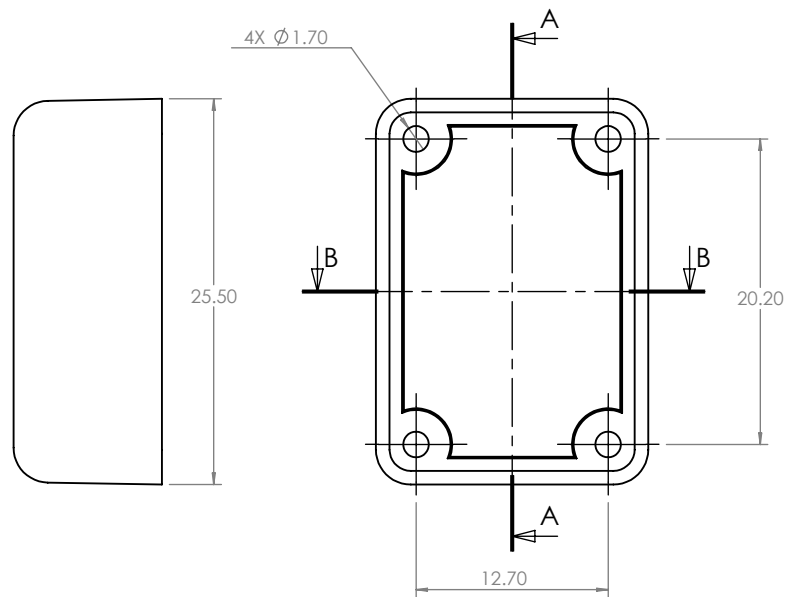
SELF TAPPING SCREW

LID

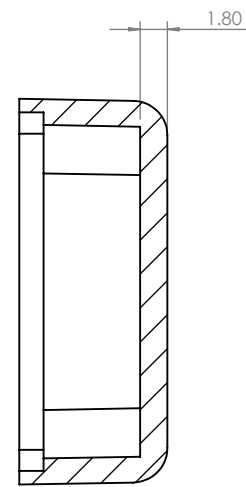
BASE



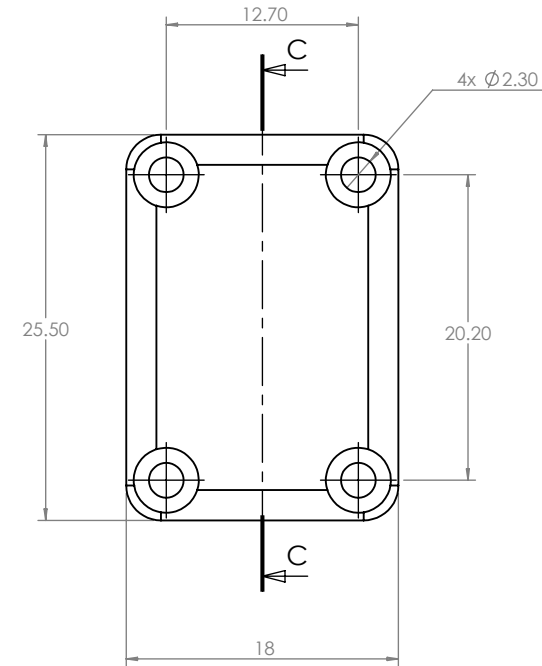
ISO VIEW
1:1



BASE

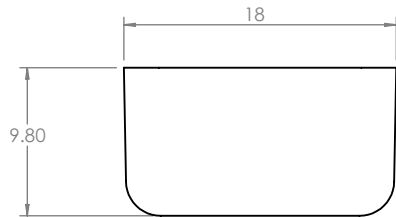


SECTION A-A



SECTION C-C

LID



CAMDENBOSS
ELECTRONICS & ENCLOSURES

JAMES CARTER RD, MILDENHALL, SUFFOLK, IP28 7DE
TEL: 01 638 716101 FAX: 01 638 716554
EMAIL: SALES@CAMDENBOSS.COM
WEB: WWW.CAMDENBOSS.COM

UNLESS OTHERWISE SPECIFIED:
DIMENSIONS ARE IN MILLIMETERS

DO NOT SCALE DRAWING

REVISION. O

FINISH.
LIGHT SPARK

TITLE:

ASSEMBLY DRG FOR RX2003

	NAME	SIGNED	DATE
DRAWN	S.HARDINGE	SJH	07/03/07
CHKD	-	-	-

MATERIAL.
ABS

DWG NO.

RX2003

A4

PROJECTION.

SCALE: 2 : 1

SHEET 1 OF 1