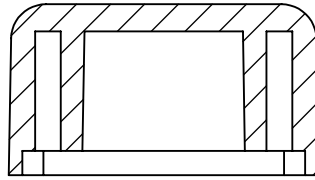


OVERALL ASSEMBLY DIMENSIONS:

EXTERNAL - 29 x 20.5 x 14.3

INTERNAL - 25.5 x 17 x 10.3



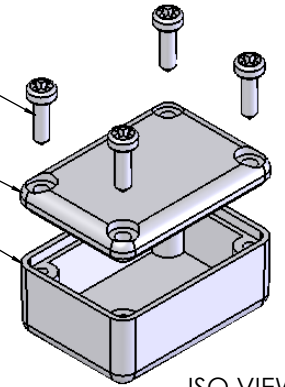
SECTION B-B



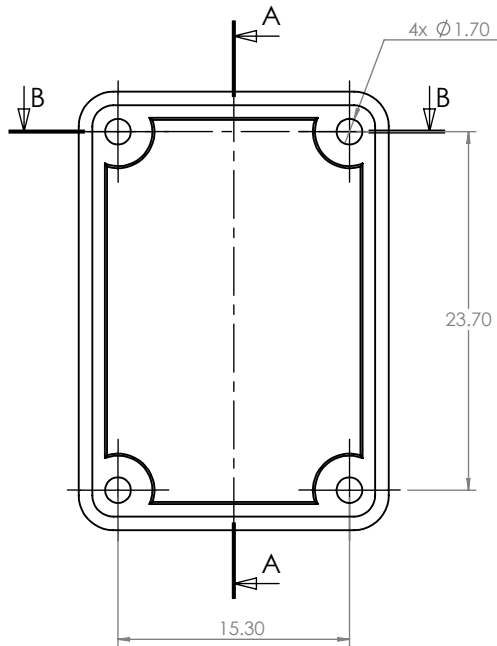
SELF TAPPING SCREW

LID

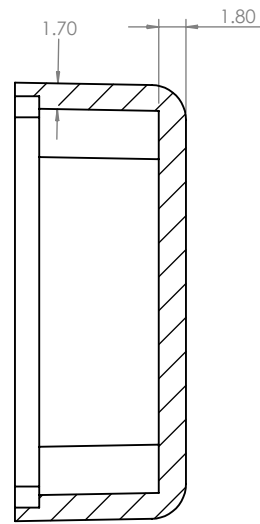
BASE



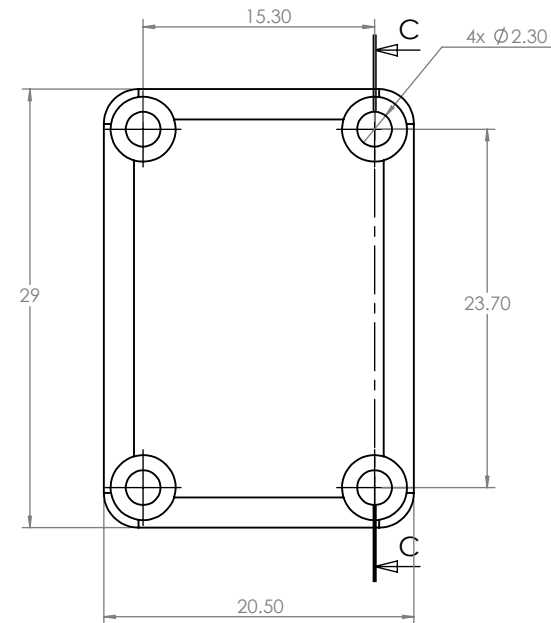
ISO VIEW
1:1



BASE

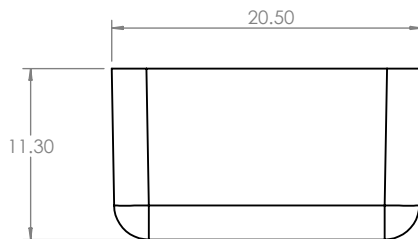


SECTION A-A



LID

SECTION C-C



CAMDENBOSS
ELECTRONICS & ENCLOSURES

JAMES CARTER RD, MILDENHALL, SUFFOLK, IP28 7DE
TEL: 01 638 716101 FAX: 01 638 716554
EMAIL: SALES@CAMDENBOSS.COM
WEB: WWW.CAMDENBOSS.COM

UNLESS OTHERWISE SPECIFIED:
DIMENSIONS ARE IN MILLIMETERS

DO NOT SCALE DRAWING

REVISION. 0

FINISH:
LIGHT SPARK

TITLE:

ASSEMBLY DRG FOR RX2004

	NAME	SIGNED	DATE
DRAWN	S.HARDINGE	SJH	30/11/05
CHKD	-	-	-

MATERIAL.	ABS
PROJECTION.	

DWG NO.	RX2004	A4
SCALE.	2 : 1	SHEET 1 OF 1