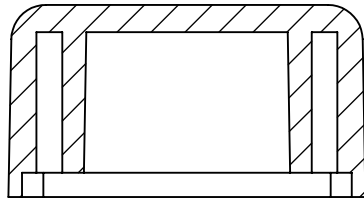


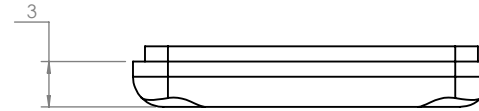
OVERALL ASSEMBLY DIMENSIONS:

EXTERNAL - 33.6 x 23.6 x 15.7

INTERNAL - 30 x 20 x 11.7



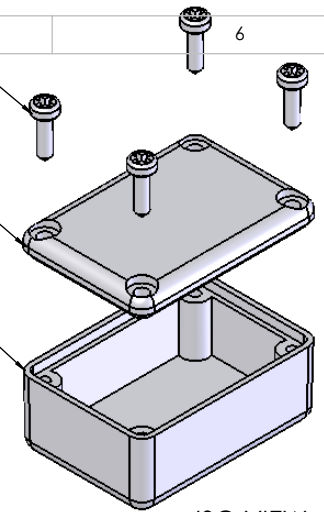
SECTION B-B



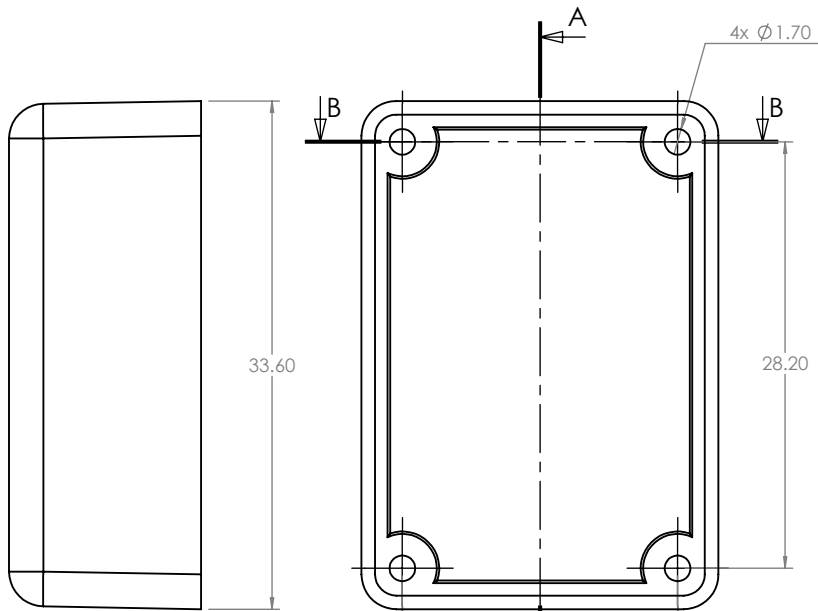
SELF TAPPING SCREW

LID

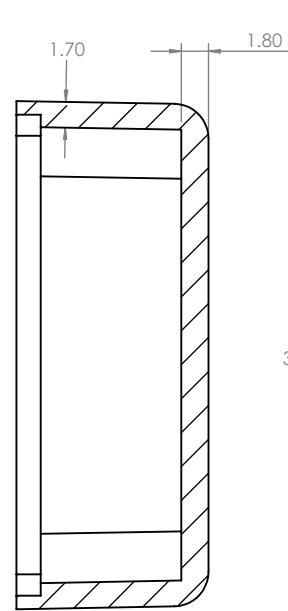
BASE



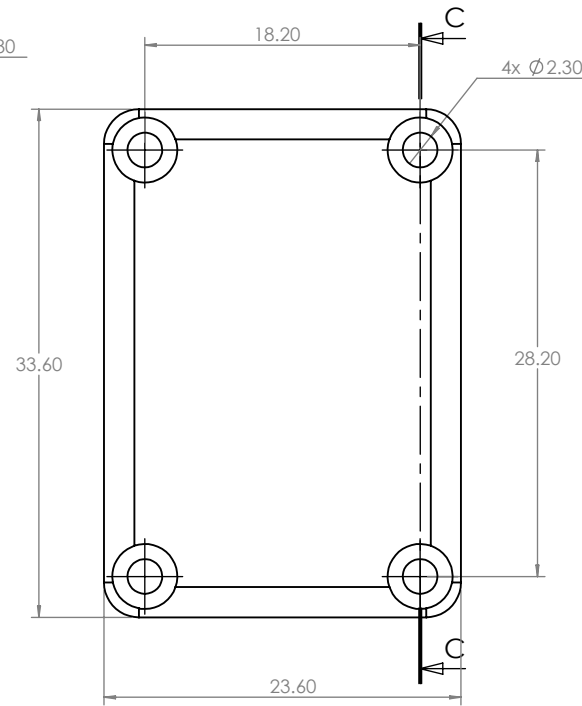
ISO VIEW
1:1



BASE

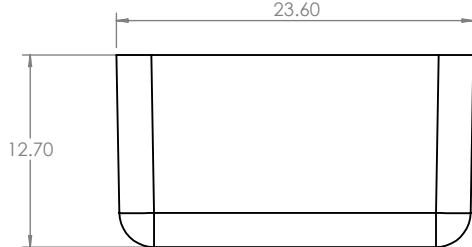


SECTION A-A



SECTION C-C

LID



CAMDENBOSS
ELECTRONICS & ENCLOSURES

JAMES CARTER RD, MILDENHALL, SUFFOLK, IP28 7DE
TEL: 01638 716101 FAX: 01638 716554
EMAIL: SALES@CAMDENBOSS.COM
WEB: WWW.CAMDENBOSS.COM

UNLESS OTHERWISE SPECIFIED:
DIMENSIONS ARE IN MILLIMETERS

DO NOT SCALE DRAWING

REVISION. O

FINISH:
LIGHT SPARK

TITLE:
ASSEMBLY DRG FOR RX2005 BOX

	NAME	SIGNED	DATE
DRAWN	S.HARDINGE	SJH	29/11/05
CHKD	-	-	-

MATERIAL:
ABS
PROJECTION.

DWG NO.	RX2005	A4
SCALE: 2 : 1	SHEET 1 OF 1	