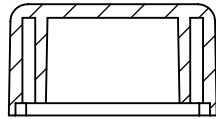


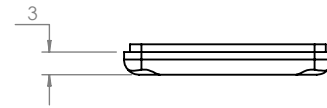
OVERALL ASSEMBLY DIMENSIONS:

EXTERNAL - 39.6 x 27.5 x 17.7

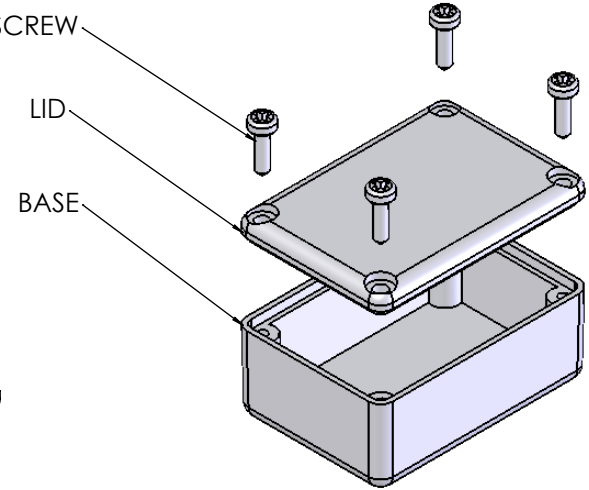
INTERNAL - 36 x 24 x 13.7



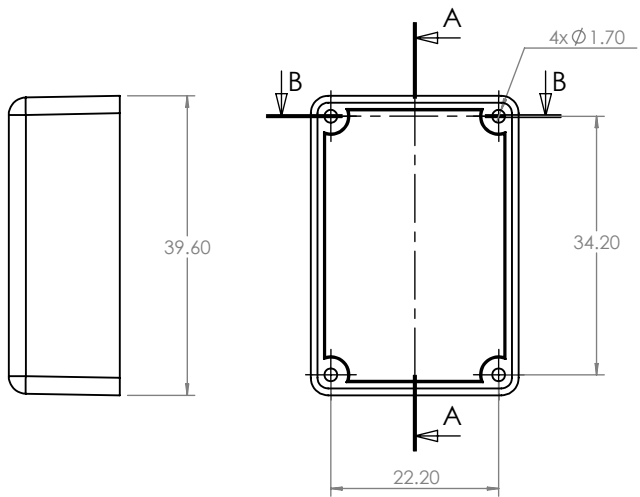
SECTION B-B



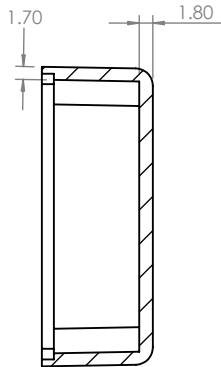
SELF TAPPING SCREW



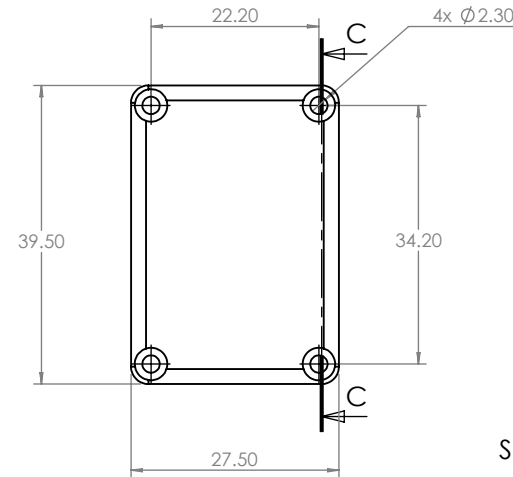
ISO VIEW



BASE

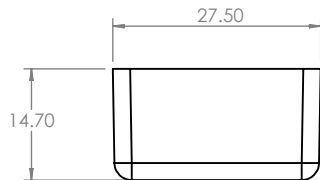


SECTION A-A



SECTION C-C

LID



**CAMDENBOSS**  
ELECTRONICS & ENCLOSURES

JAMES CARTER RD, MILDENHALL, SUFFOLK, IP28 7DE  
TEL: 01638 716101 FAX: 01638 716554  
EMAIL: SALES@CAMDENBOSS.COM  
WEB: WWW.CAMDENBOSS.COM

UNLESS OTHERWISE SPECIFIED:  
DIMENSIONS ARE IN MILLIMETERS

DO NOT SCALE DRAWING

REVISION. 0

TITLE:

ASSEMBLY DRG FOR RX2006

FINISH.

LIGHT SPARK

DWG NO.

RX2006

A4

	NAME	SIGNED	DATE	MATERIAL.
DRAWN	S.HARDINGE	SJH	29/11/05	ABS
CHKD	-	-	-	PROJECTION.

MATERIAL.

ABS

PROJECTION.



SCALE. 1 : 1

SHEET 1 OF 1