

OVERALL ASSEMBLY DIMENSIONS:

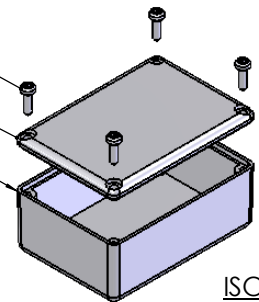
EXTERNAL - 53.5 x 37.5 x 22.7

INTERNAL - 50 x 34 x 18.7

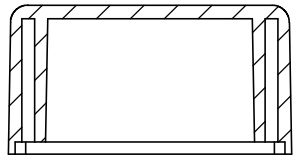
SELF TAPPING SCREW

LID

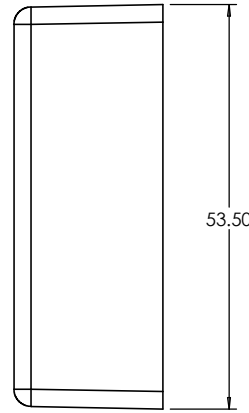
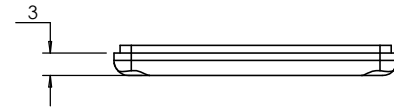
BASE



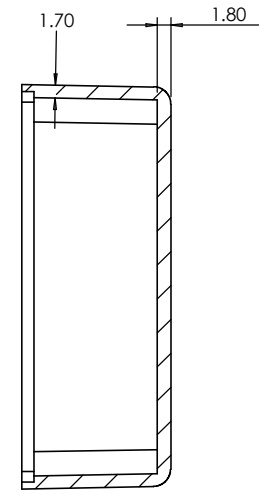
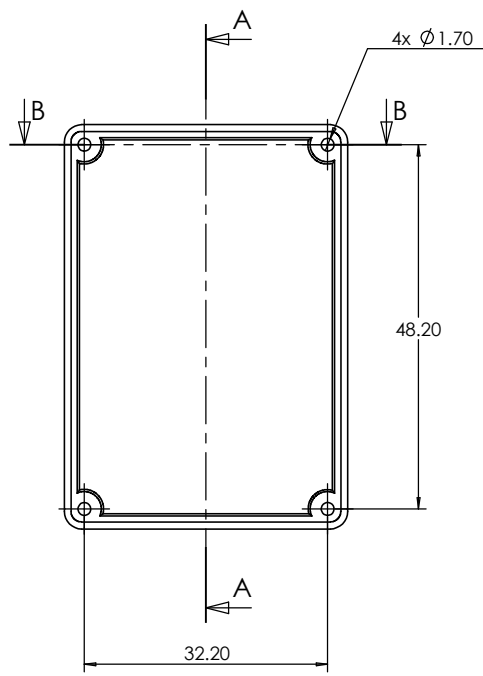
ISO VIEW  
1:2



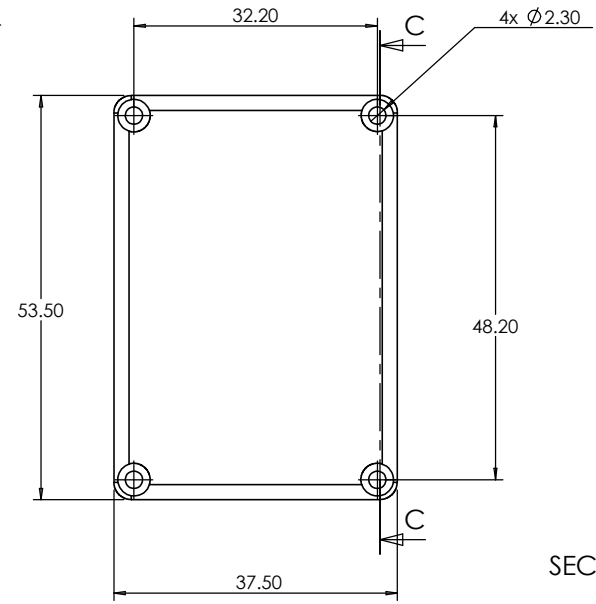
SECTION B-B



BASE

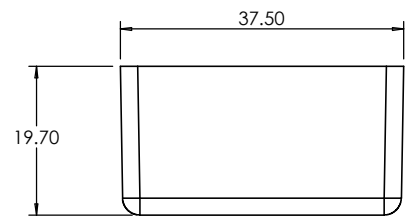


SECTION A-A



SECTION C-C

LID



<p>JAMES CARTER RD, MILDENHALL, SUFFOLK. IP28 7DE          TEL: 01638 716101 FAX: 01638 716554          EMAIL: Sales@CamdenBoss.com          WEB: www.CamdenBoss.com</p>		UNLESS OTHERWISE SPECIFIED: DIMENSIONS ARE IN MILLIMETERS		DO NOT SCALE DRAWING		REVISION. 0	
		FINISH. LIGHT SPARK		TITLE: ASSEMBLY DRG FOR RX2008			
DRAWN S.HARDINGE		SIGNED SJH		DATE 28/11/05		MATERIAL. ABS	
CHK'D -		-		-		PROJECTION.	
				DWG NO. RX2008		A4	
				SCALE. 1 : 1		SHEET 1 OF 1	