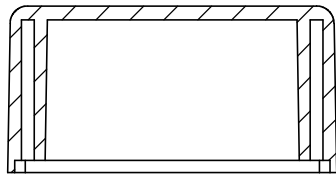


OVERALL ASSEMBLY DIMENSIONS:

EXTERNAL - 63.5 x 43.5 x 25

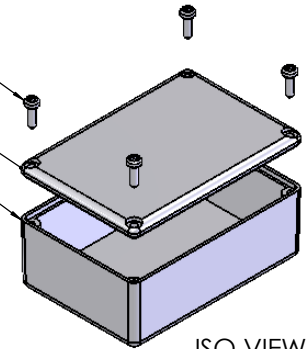
INTERNAL - 60 x 40 x 21



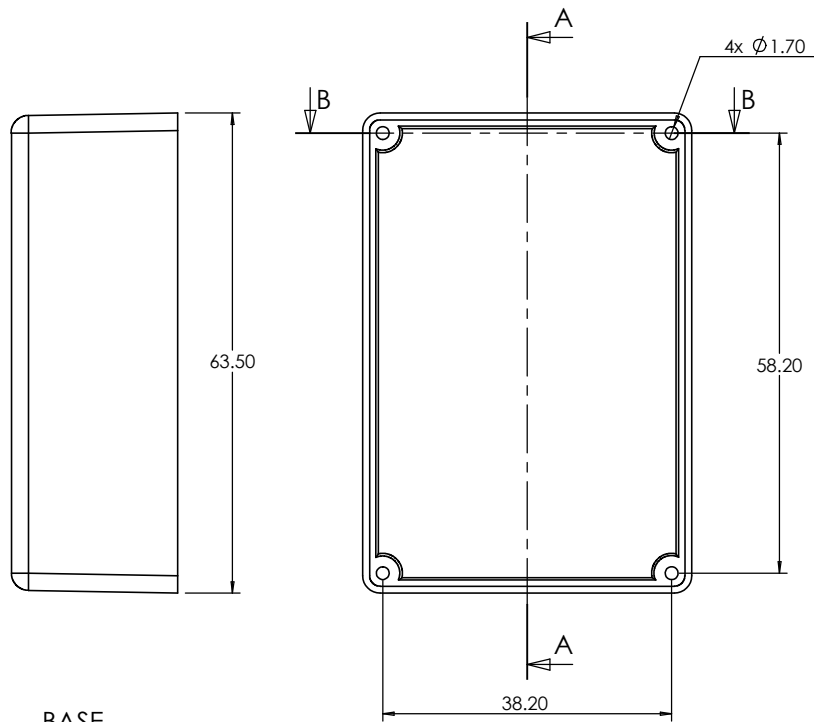
SECTION B-B

SELF TAPPING SCREWS

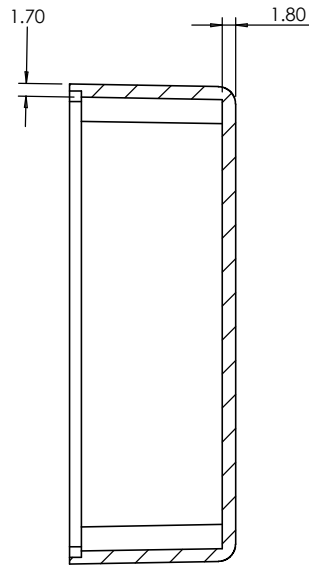
LID
BASE



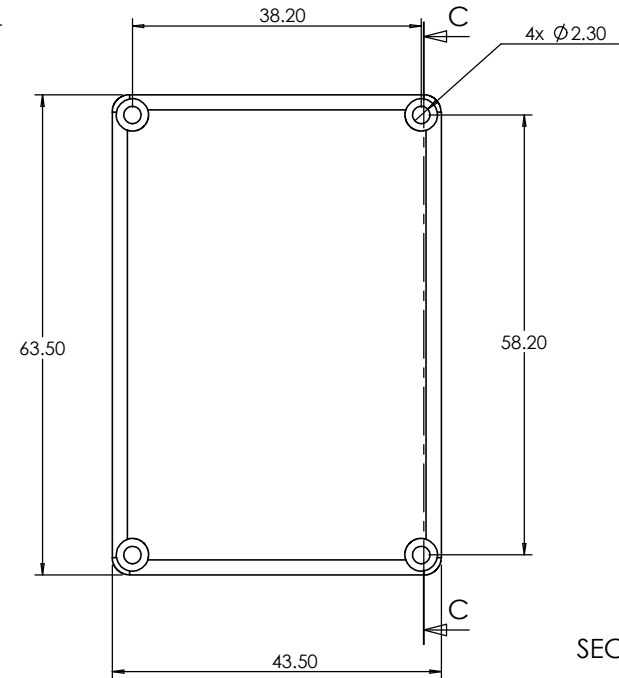
ISO VIEW
1:2



BASE

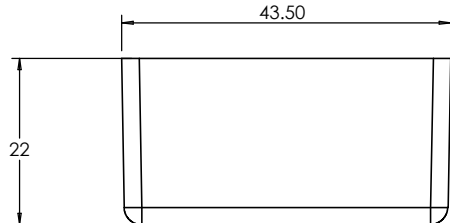


SECTION A-A



SECTION C-C

LID



		UNLESS OTHERWISE SPECIFIED: DIMENSIONS ARE IN MILLIMETERS		DO NOT SCALE DRAWING	REVISION. 0	
		JAMES CARTER RD, MILDENHALL, SUFFOLK. IP28 7DE TEL: 01638 716101 FAX: 01638 716554 EMAIL: Sales@CamdenBoss.com WEB: www.CamdenBoss.com		TITLE: ASSEMBLY DRG FOR RX2009		
DRAWN S.HARDINGE		SIGNED SJH	DATE 21/11/05	MATERIAL. ABS	DWG NO. RX2009	A4
CHK'D -		-	-	PROJECTION.	SCALE: 1 : 1	SHEET 1 OF 1