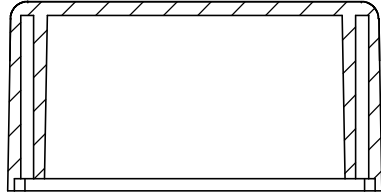


OVERALL ASSEMBLY DIMENSIONS:

EXTERNAL - 73.5 x 49.5 x 28

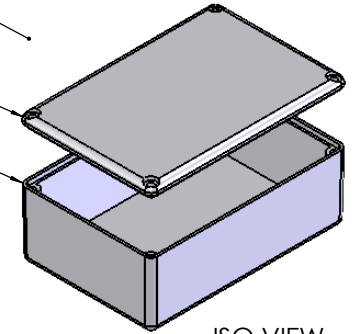
INTERNAL - 70 x 46 x 24



SELF TAPPING SCREWS

LID

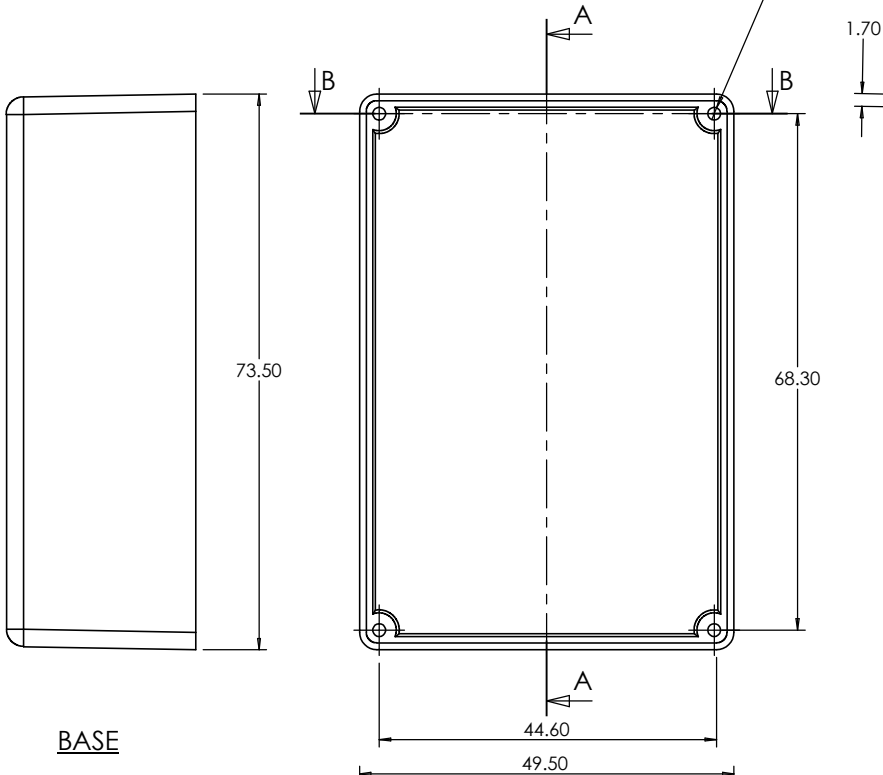
BASE



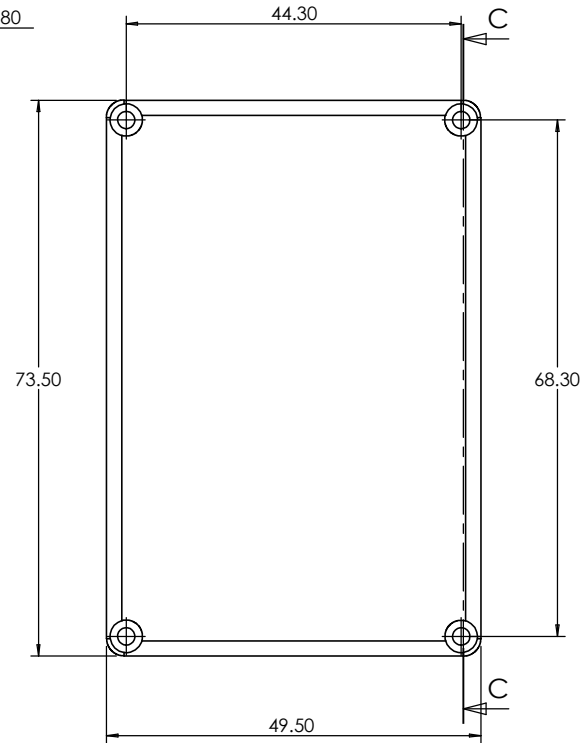
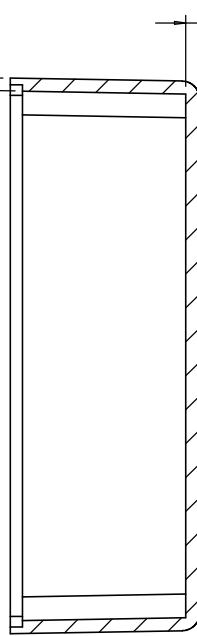
ISO VIEW
1:2



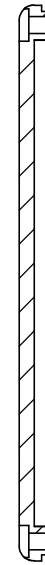
SECTION B-B



SECTION A-A

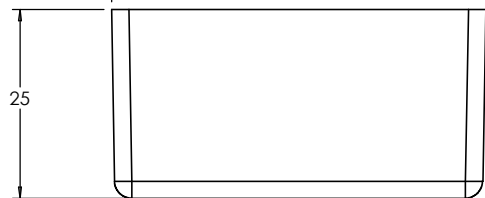


SECTION C-C



LID

BASE



<p>JAMES CARTER RD, MILDENHALL, SUFFOLK. IP28 7DE TEL: 01638 716101 FAX: 01638 716554 EMAIL: Sales@CamdenBoss.com WEB: www.CamdenBoss.com</p>				UNLESS OTHERWISE SPECIFIED: DIMENSIONS ARE IN MILLIMETERS		DO NOT SCALE DRAWING		REVISION. 0		
				FINISH. LIGHT SPARK		TITLE: ASSEMBLY DRG FOR RX2010				
DRAWN S.HARDINGE		SIGNED SJH		DATE 28/11/05		MATERIAL. ABS		DWG NO. RX2010		A4
CHK'D -		-		-		PROJECTION. 		SCALE: 1:1		SHEET 1 OF 1