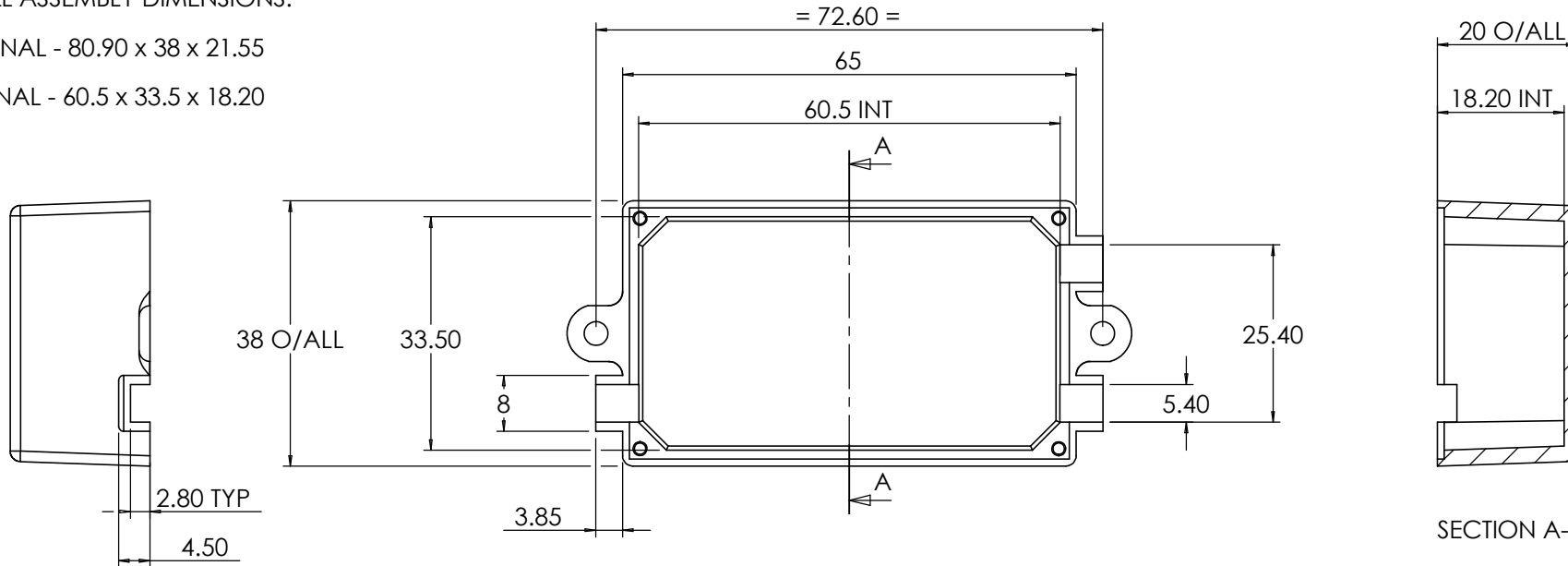


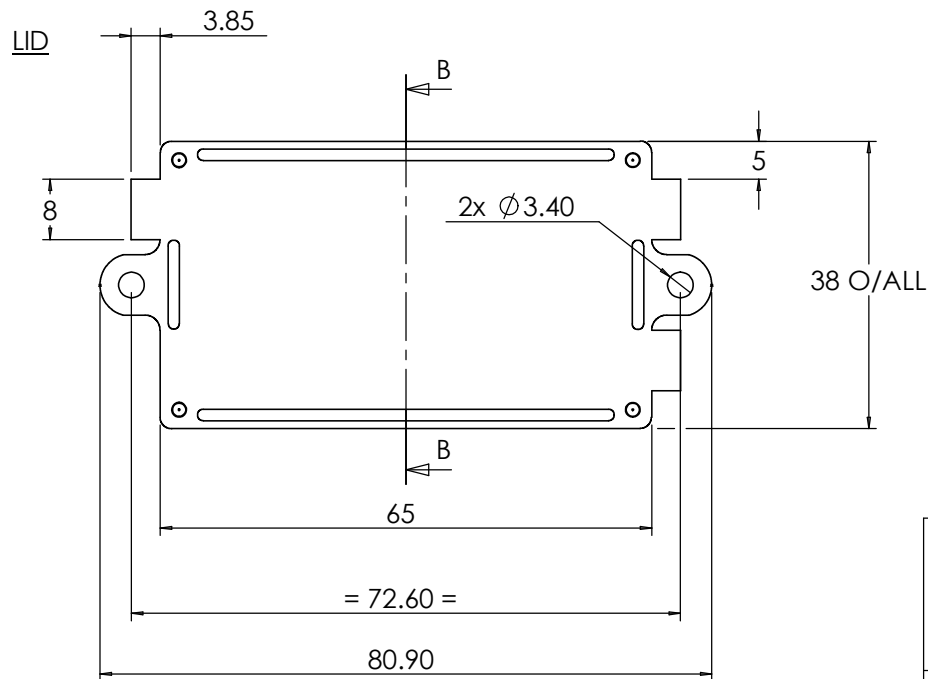
OVERALL ASSEMBLY DIMENSIONS:

EXTERNAL - 80.90 x 38 x 21.55

INTERNAL - 60.5 x 33.5 x 18.20

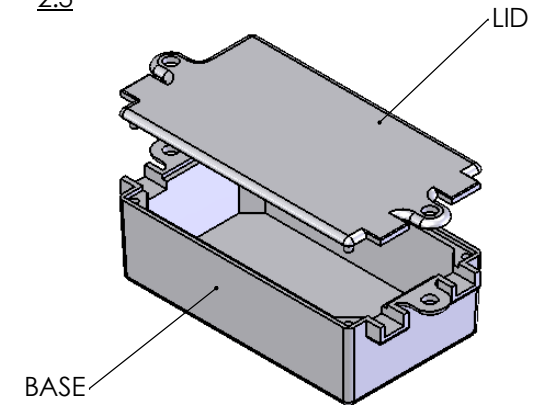


SECTION A-A



SECTION B-B

ISO VIEW
2:3



		UNLESS OTHERWISE SPECIFIED: DIMENSIONS ARE IN MILLIMETERS		DO NOT SCALE DRAWING	REVISION. 0
		JAMES CARTER RD, MILDENHALL, SUFFOLK, IP28 7DE TEL: 01438 716101 FAX: 01438 716554 EMAIL: Sales@CamdenBoss.com WEB: www.CamdenBoss.com		TITLE: ASSEMBLY DRG FOR 400-011	
DRAWN SUBKHANKULOVA LS 05/06/09		FINISH: FINE SPARK		DWG NO. 400-011	
CHKD STUART HARDINGE SJH 05/06/09		MATERIAL: ABS		SCALE: 1 : 1	
		PROJECTION.		SHEET 1 OF 1	
				A4	