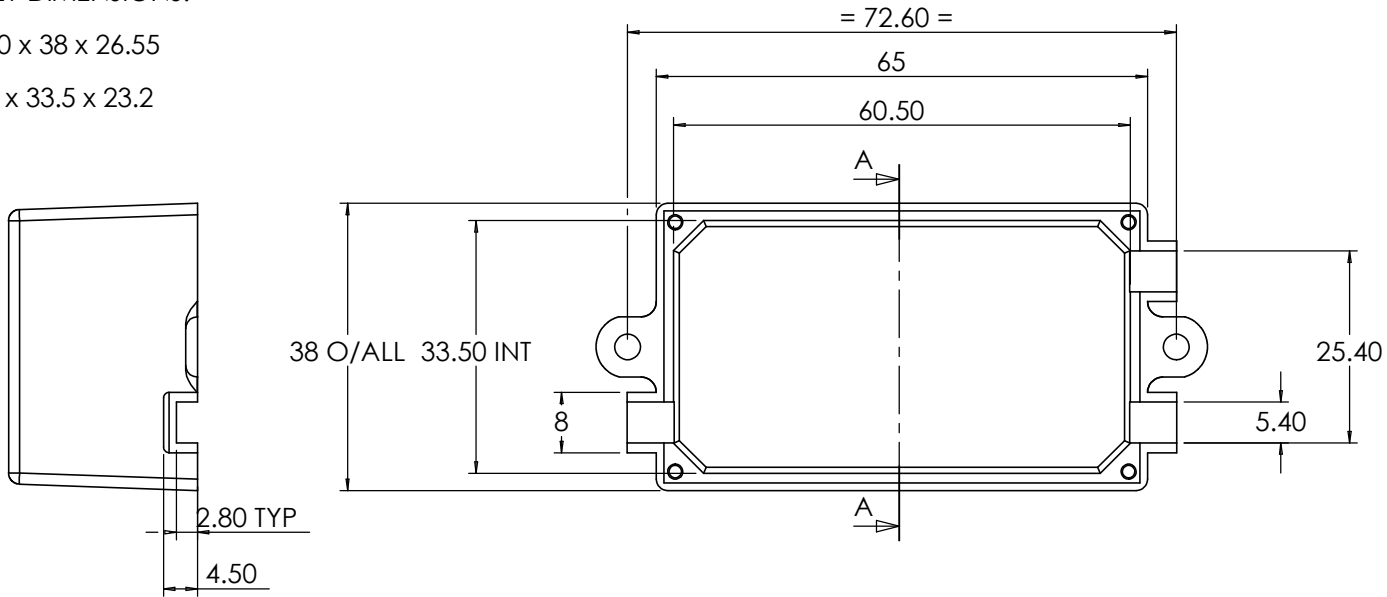


OVERALL ASSEMBLY DIMENSIONS:

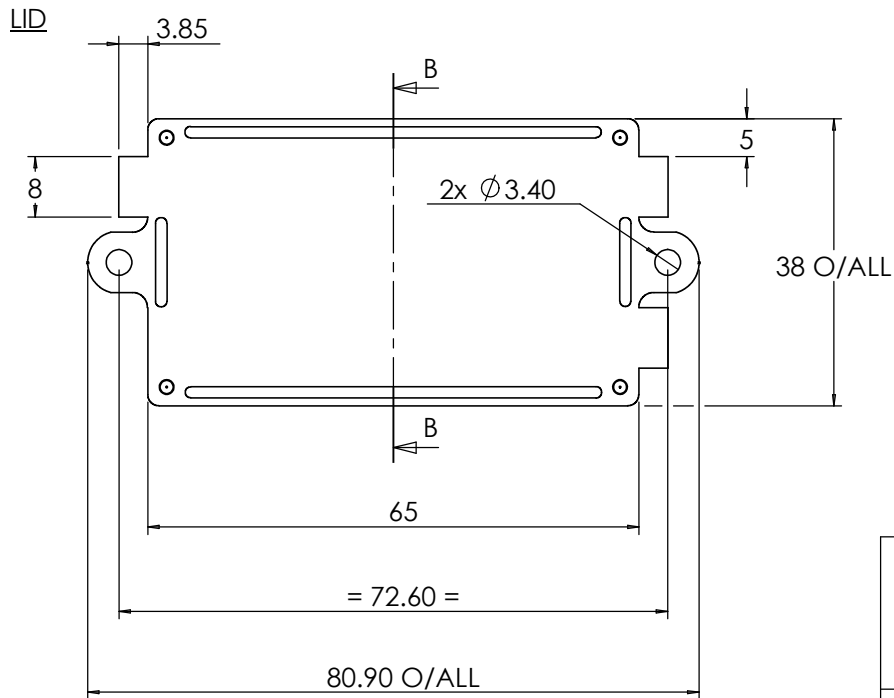
EXTERNAL - 80.90 x 38 x 26.55

INTERNAL - 60.5 x 33.5 x 23.2



BASE

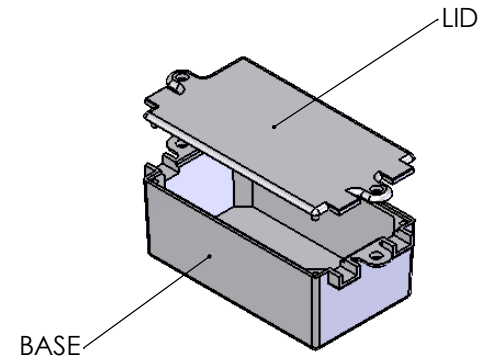
SECTION A-A



LID

SECTION B-B

ISO VIEW
1:2



<p>CAMDENBOSS ELECTRONICS & ENCLOSURES</p> <p>JAMES CARTER RD, MILDENHALL, SUFFOLK, IP28 7DE TEL: 01638 716101 FAX: 01638 716554 EMAIL: Sales@CamdenBoss.com WEB: www.CamdenBoss.com</p>			UNLESS OTHERWISE SPECIFIED: DIMENSIONS ARE IN MILLIMETERS		DO NOT SCALE DRAWING		REVISION. 0			
			FINISH: FINE SPARK		TITLE: ASSEMBLY DRG FOR 400-013					
DRAWN SUBKHANKULOVA		SIGNED LS		DATE 05/06/09		MATERIAL: ABS		DWG NO. 400-013		A4
CHK'D STUART HARDINGE		SIGNED SJH		DATE 05/06/09		PROJECTION. FIRST ANGLE		SCALE: 1 : 1		SHEET 1 OF 1